

# INSTRUCTION MANUAL

***GT*e 2019**



For any additional questions, please send us an email to: [info@igt8.com](mailto:info@igt8.com)

Components



IGT8 Stickers



USB Manual



Parts Bag

TOOLS NOT INCLUDED IN THE KIT



Body Reamer



Screw Cement



Instant Cement



Curved Scissors



Cutter



Gear Grease



Needle Nosed Pliers



Craft Knife



Precision Caliper

Equipment Needed



7.4V Li-Po Battery (hard case)



Li-Po Battery Charger



Receiver Battery Charger



Receiver Battery

# IMPORTANT-READ THIS BEFORE RUNNING

## 1. Before starting

- Please read manual carefully (with a parent, guardian or a responsible adult if necessary).

## 2. While Operating

- Any running area you choose must be dry. Do not run vehicle near any water or wet areas.
- Do not run on public streets. It is very easy to have the car run over or be damaged by hitting the curb.
- Do not operate the car in tight confined places. The vehicle is very fast and will easily hit something.
- Do not run near people or animals. The car is very fast and could easily hit someone if you are not an expert driver.
- Do not operate the car at night. You will not be able to drive it safely.

## 3. Before Operating

- Make sure that all screws and nuts are properly tightened.
- Always use fresh batteries for your transmitter and receiver before running the car. If the radio does not have full control of the car with steering, throttle and brake, do not run it until corrected. Failure to correct this will result in possible injury and damage to the car or property.
- Please confirm the steering and throttle are at neutral position.

## 4. Check your Vehicle After Running

- Turn OFF receiver first, then turn OFF transmitter. This will prevent the car from losing control.
- After running radio controlled car, it is necessary to perform routine maintenance.

## 5. Battery Safety

- Please be careful when handling the battery, it will be hot after running. If the cable is frayed, a short circuit can cause a fire.

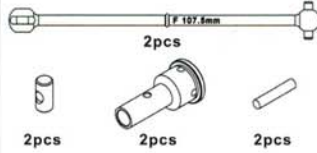
# PARTS REFERENCE

IGT8HF004  
Diff. Gear 10Tx4, 20Tx2, 0.15mmx8



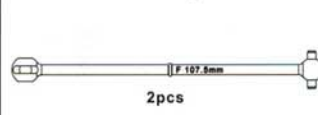
2pcs 4pcs 8pcs

IGT8HD040  
Front wheel CVD Shaft Set, 107.5mm



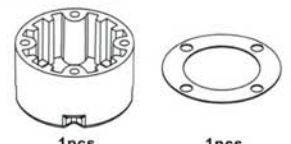
2pcs 2pcs 2pcs

IGT8HD04A  
Front Wheel CVD Shaft, 107.5mm



2pcs

IGT8HF001  
Diff. Case (F&R)



1pcs 1pcs

IGT800H05A  
Rear Wheel CVD Shaft, 105mm



2pcs

IGT8HF071  
Drive Shaft Insert / 2.5 x 12.8 Pin



4pcs 4pcs

IGT8HD004  
CVD Wheel Axle



2pcs

IGT8HF019  
3.5 x 45.8 Rear Upright Shaft



2pcs

IGT8HF040  
Steering King Pin



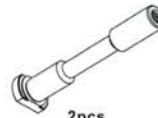
4pcs

IGT8HF042  
Front Arm Bushing



4pcs

IGT8HF024  
Servo Saver Post



2pcs

IGT8HF014  
Alum. Servo Saver Tube



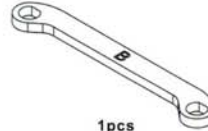
2pcs

IGT800H10  
Servo Saver Adjuster, 12 x 1.7 O-Ring



1pcs 1pcs

IGT8H00H18  
Servo Saver Connecting Plate, BType



1pcs

IGT8HF029  
Servo Saver Screw



2pcs

IGT8HF030  
Servo Saver Bushing



2pcs

IGT8HF018  
Brake Cam



2pcs

IGT8HF072  
Brake Pad Screw



4pcs

IGT8HF054  
Brake Rod Spring



2pcs

IGT8HF031  
7x8.5mm Ball & Socket



4pcs

IGT8HF033  
7x12mm Ball & Socket



4pcs

IGT8HF073  
Hex 4mm Ball & Socket



2pcs

IGT8HF036  
2.5x11.8 Pins



10pcs

IGT8HF070  
2.5x12.8 Pin



10pcs

IGT8HF055  
Brake Linkage Rod 1.8 x 95mm



1pcs

IGT8HF035  
Diff Gasket 31x20x0.3



3pcs

IGT8HF074  
4x8mm Engine Mount Screw



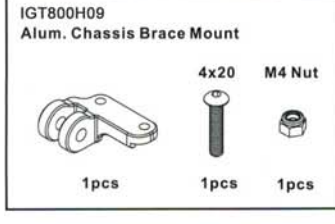
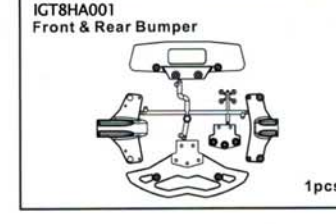
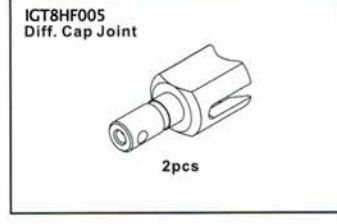
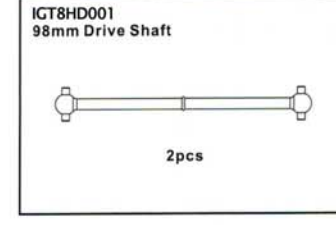
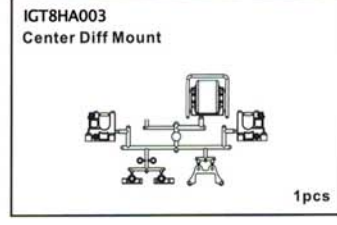
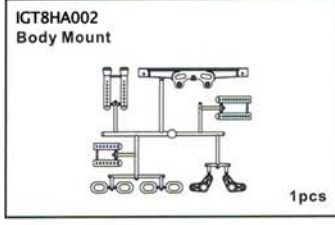
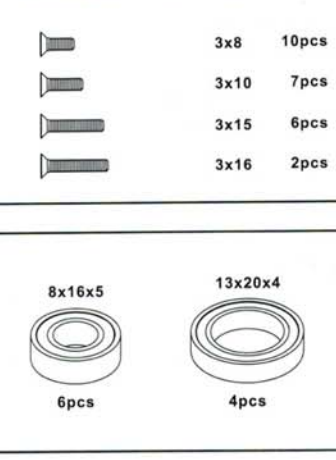
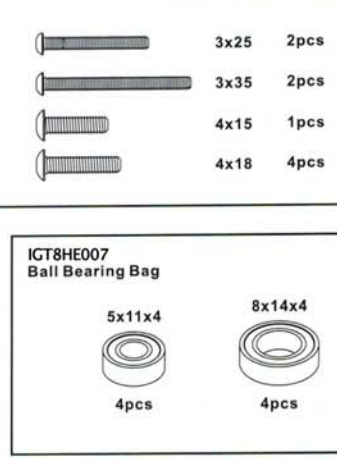
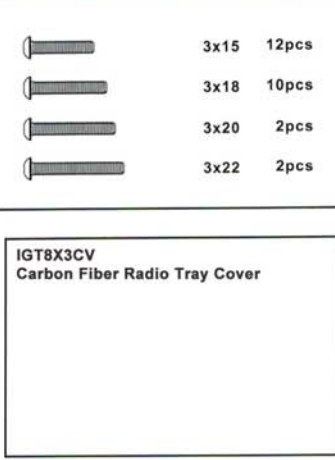
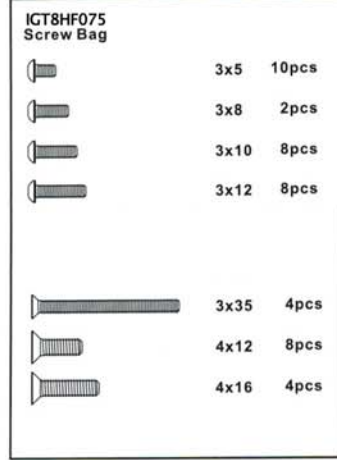
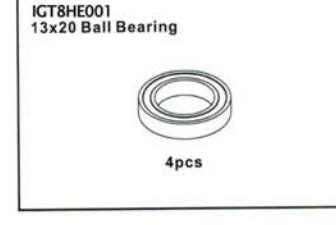
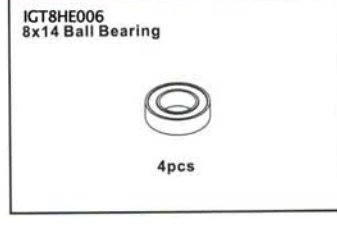
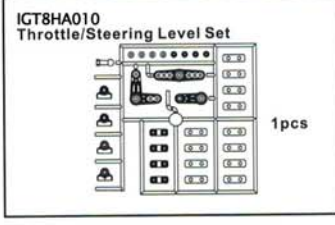
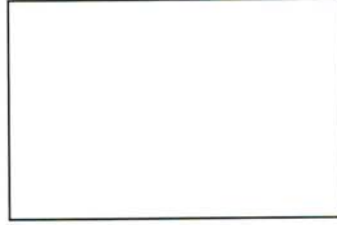
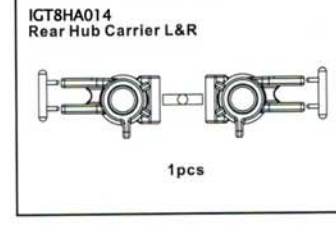
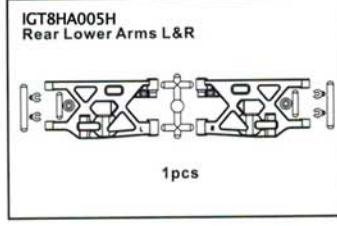
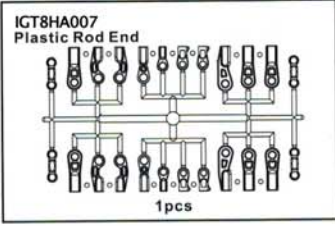
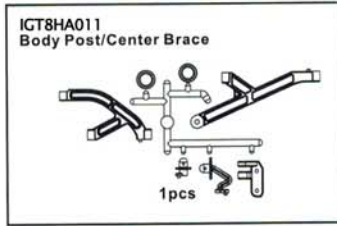
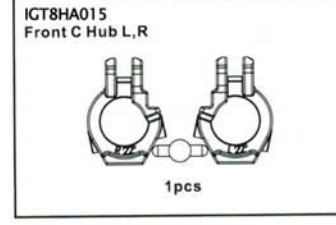
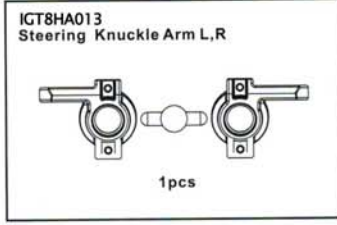
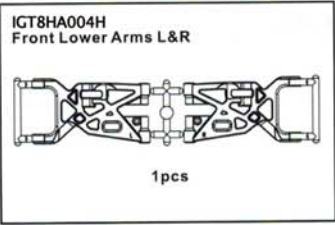
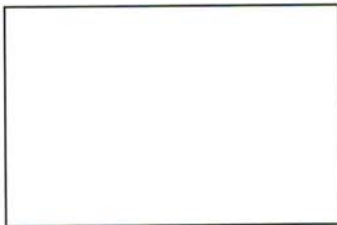
4pcs

IGT8HF046  
4x10mm Set Screw, Round Head


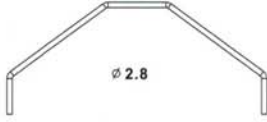
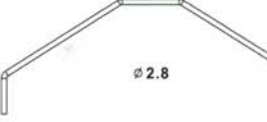
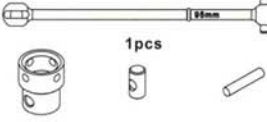


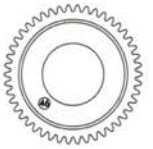



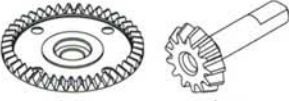














4pcs

# PARTS REFERENCE



# PARTS REFERENCE

<p><b>X3GTPROUSB1</b> Instruction Manual (USB)</p> 	<p><b>IGT8HF078</b> Front Anti-roll Bar 2.8mm, Black</p>  <p>1 pcs</p>	<p><b>IGT8HF026</b> Rear Anti-roll Bar 2.8mm, Black</p>  <p>1 pcs</p>	<p><b>IGT8HD020</b> Center CVD Shaft Set, Front</p>  <p>1 pcs 1 pcs 1 pcs</p>
<p><b>IGT8HB049</b> 49T Spur</p>  <p>1 pcs</p>	<p><b>IGT8HB048</b> 48T Spur</p>  <p>1 pcs</p>	<p><b>IGT8HB047</b> 47T Spur</p>  <p>1 pcs</p>	<p><b>IGT8HB046</b> 46T Spur</p>  <p>1 pcs</p>
<p><b>IGT8HB045</b> 45T Spur</p>  <p>1 pcs</p>	<p><b>IGT8HB044</b> 44T Spur</p>  <p>1 pcs</p>		
<p><b>IGT8HF009</b> 16mm GT Shock Spring, Medium (Black)</p> <p>2.3x35x5.25T- 4pcs</p> 	<p><b>IGT8HF002 &amp; IGT8HF003</b> Spiral Bevel Gear 43T&amp;13T</p>  <p>1 pcs 1 pcs</p>	<p><b>IGT800F04</b> Flex Top Plate</p>  <p>1 pcs</p>	
<p><b>IGT800F18</b> Plastic Bumper</p>  <p>1 pcs</p>	<p><b>IGT800F17</b> Center CVD Cover</p>  <p>2 pcs</p>	<p><b>IGT800F21</b> Carbon Fiber Front Body Podt Suport</p>  <p>1 pcs</p>	<p><b>IGT800F16</b> Center Optional Graphite Brace</p> 
<p><b>IGT800F12</b> Lower FF Suspension Block</p>  <p>1 pcs</p>	<p><b>IGT800T05</b> Titanium Turnbuckle Set</p> 	<p><b>IGT800T06</b> Aluminum Brake Cam</p>  <p>2 pcs</p>	<p><b>IGT800T03</b> Titanium Rear Brace Screw</p>  <p>1 pcs</p>
<p><b>IGT800T04</b> Titanium Front Arms Screws</p>  <p>4 pcs</p>	<p><b>IGT800T09</b> Aluminum Joint Cups</p>  <p>2 pcs</p>	<p><b>IGT800H01</b> Lightweight Differential Cup Joint</p>  <p>2 pcs</p>	<p><b>IGT800T11</b> Titanium King Pins</p>  <p>4 pcs</p>

# OPTION PARTS REFERENCE

**IGT800H01**  
Diff. Cap Joint (Lightweight) **OPT**

2pcs

**IGT800H07**  
Chassis Brace (Front/Rear) **OPT**

1pcs 1pcs

3x12 3x10 M3 Nut

1pcs 4pcs 5pcs

**IGT800H04**  
Alim. Diff Cross Pin(Hard-Coated) **OPT**

6pcs

**IGT800T07**  
Aluminum A Bushings **OPT**

4 pcs

**IGT800T10**  
Aluminum Ball Set **OPT**

**IGT800H19**  
Alum. Rear Hub Carrier L.R **OPT**

1pcs 1pcs

4mm 8x16x5 13x20x4

4pcs 2pcs 2pcs

**IGT800T08**  
Aluminum Steering Ball Joints **OPT**

4 pcs

**IGT800H06**  
Screw Type Arms Shaft, 3.5mm **OPT**

2pcs

**IGT800H14**  
Alum. CNC C Hub (10") L,R **OPT**

1pcs 1pcs

3x18 M3 Nut

2pcs 2pcs

**IGT800H27**  
Alum. CNC C Hub ( 0") L,R **OPT**

1pcs 1pcs

3x18 M3 Nut

2pcs 2pcs

**IGT800F10**  
One-piece bulkhead with CNC insert and bearings **OPT**

1pcs 1pcs

**IGT8HG003**  
Spiral Bevel Gear 42T&14T **OPT**

1pcs 1pcs

**IGT800T02**  
Titanium Screw Set **OPT**

**IGT8HG04A**  
Center CVD Shaft, Front ,95mm **OPT**

1pcs

**IGT800H03**  
Rear Anti-Roll Bar 2.5mm,Nnickel-Plating **OPT**

∅ 2.5

1pcs

**IGT800H05**  
Rear Wheel CVD Shaft Set, 105mm **OPT**

R 105mm

2pcs 2pcs 2pcs

**IGT800H02**  
Serrated wheel Nuts **OPT**

4 pcs

**IGT800T01**  
Aluminum Front Axle **OPT**

2 pcs

**IGT800H28**  
Front Anti-Roll Bar 2.5mm **OPT**

∅ 2.5

1pcs

**IGT800F05**  
Rear Body Suport **OPT**

1 pcs

**IGT800H01**  
Aluminum Front Axle **OPT**

2 pcs

**IGT800F2A, IGT800F2B & IGT800F2C** **OPT**  
Carbon Fiber Ackerman A, B & C

**IGT800F03**  
2.3m Suspension Springs **OPT**

2 pcs

**IGTE00F01**  
Carbon Fiber Transmission Top Mount **OPT**

1 pcs

**IGT800H01**  
Aluminum Front Axle **OPT**

2 pcs

**IGT800H01**  
Aluminum Front Axle **OPT**

2 pcs

## SYMBOLS USED THROUGHOUT THE INSTRUCTION MANUAL



Parts Bag Used



Degrease With Motor Spray



Do Not Over Tighten



Tighten



Ensure Free Movement



Contact Adhesive



Apply Screw Cement



Apply Oil



Apply Lubricant



True-To-Scale

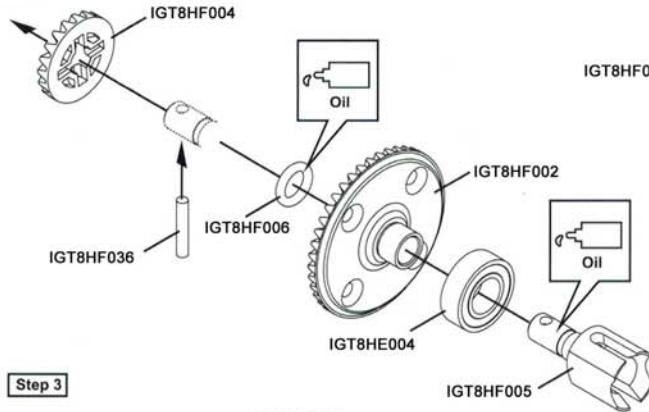


Time

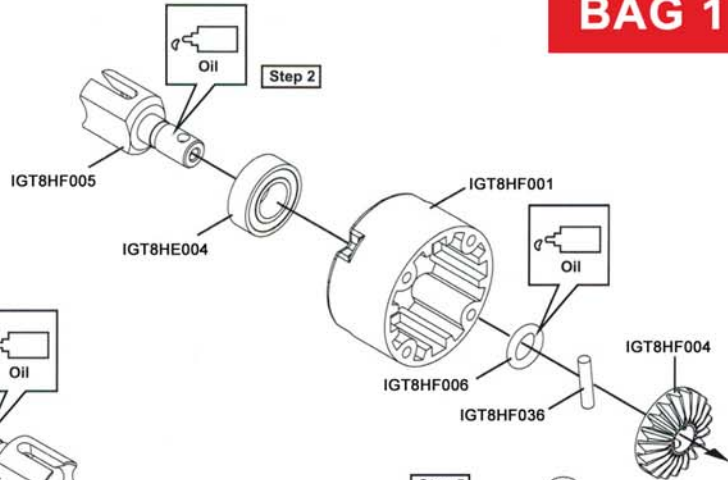


Pay attention here

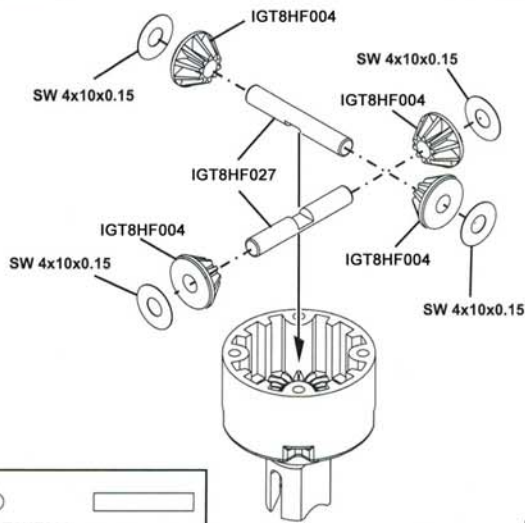
Step 1



Step 2



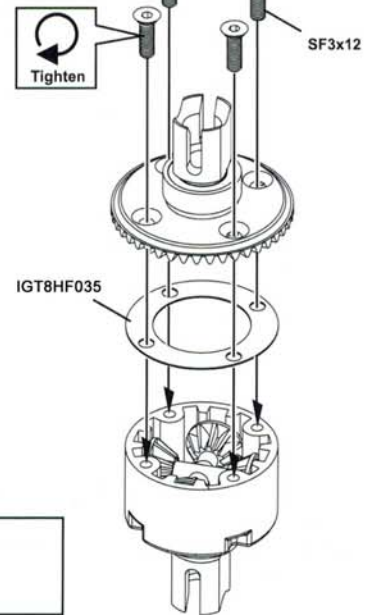
Step 3



Step 4

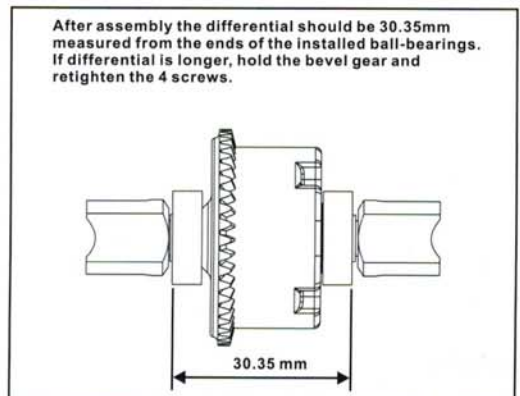
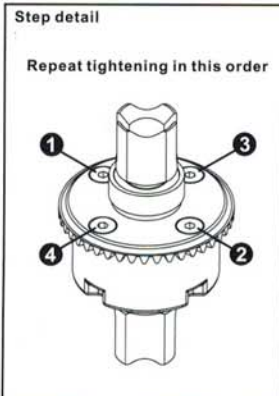
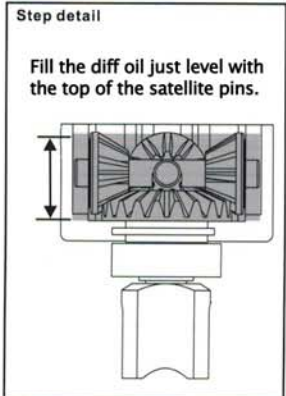
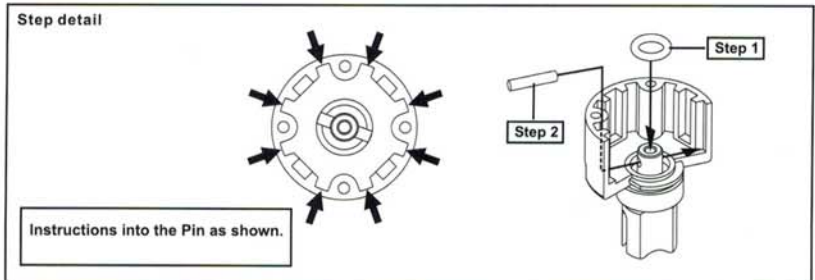
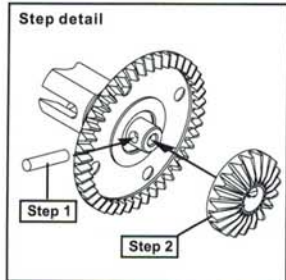


Step 5



- Use 300,000 CST oil for front diff.
- Use white oil pen to mark front diff. case.

- IGT8HF036  
2.5x11.8mm Pin .....x4
- IGT8HF006  
P6 O-Ring .....x4
- IGT8HE004  
8x16x5mm  
Ball Bearing .....x4
- SW 4x10x0.15  
4x10x0.15mm  
Washer .....x8
- IGT8HF027  
4mm Cross Pin .....x4
- SF3x12mm  
Flat Head Hex Screw .....x8

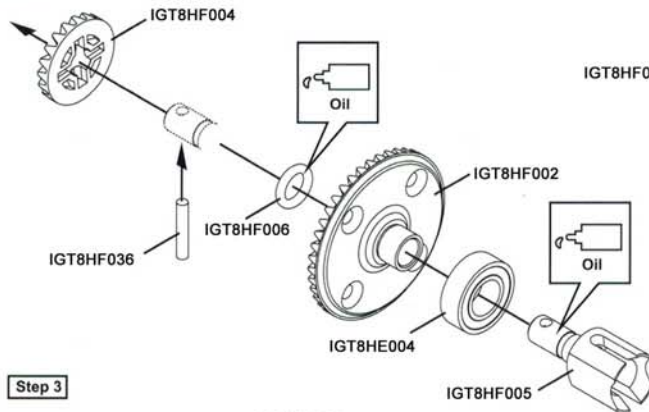




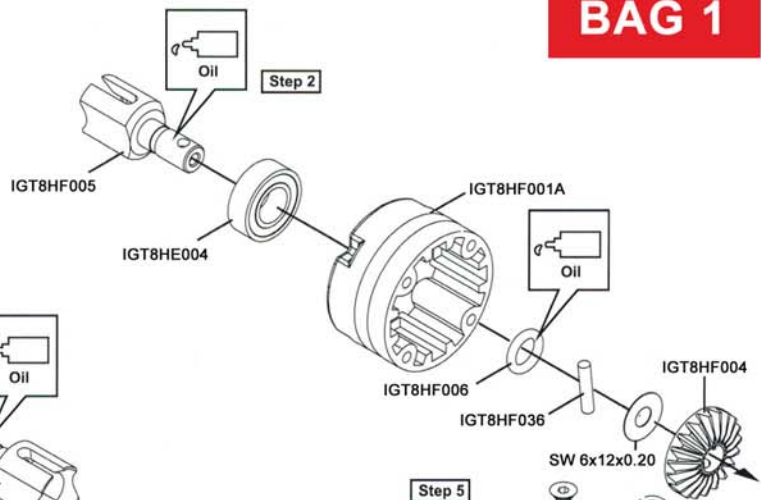
# 1b ASSEMBLY OF THE REAR DIFF. (ALUMINUM)

**BAG 1**

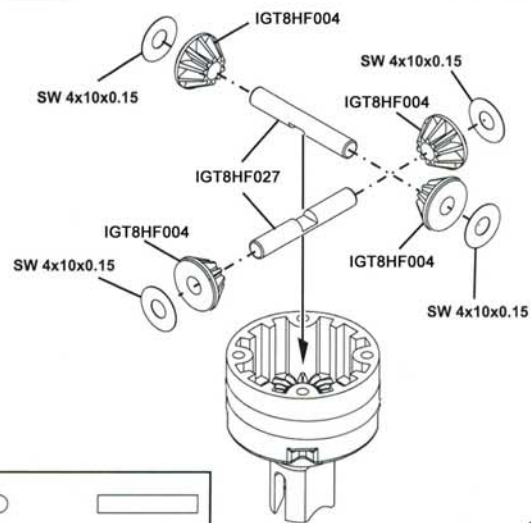
Step 1



Step 2



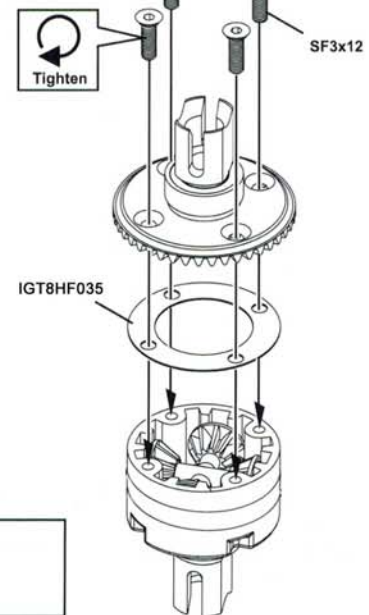
Step 3



Step 4

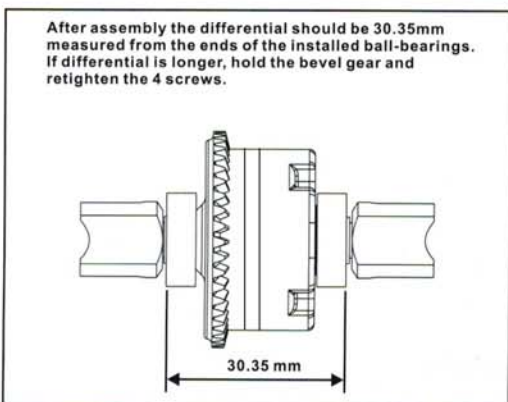
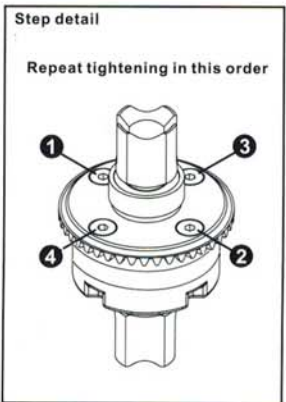
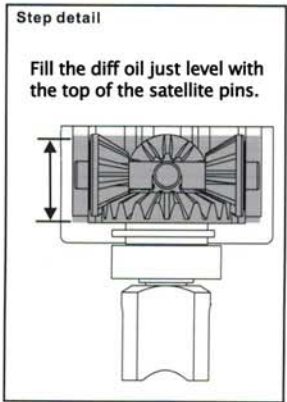
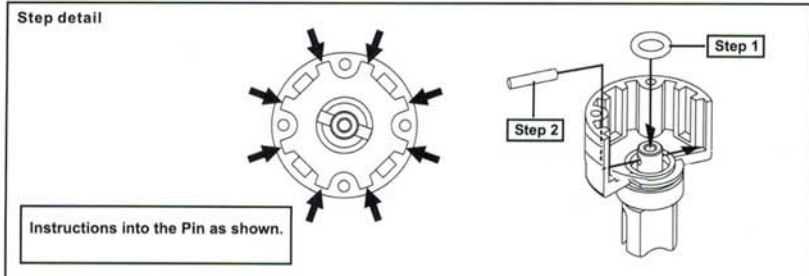
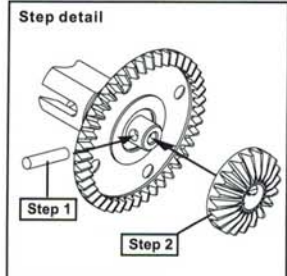


Step 5

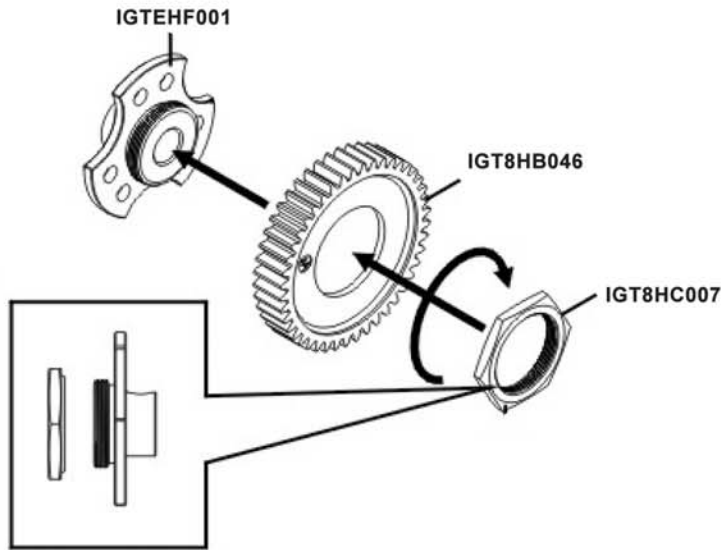


- Use 50,000 CST oil for rear diff.
- Use white oil pen to mark rear diff. case.

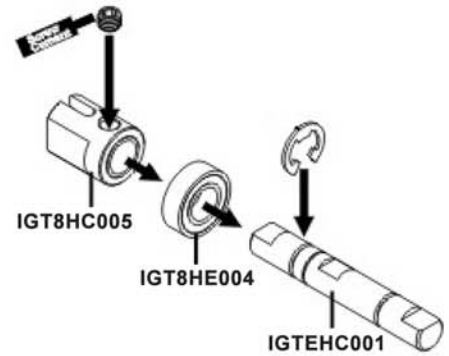
- IGT8HF036  
2.5x11.8mm Pin .....x4
- IGT8HF006  
P6 O-Ring .....x4
- IGT8HE004  
8x16x5mm  
Ball Bearing .....x4
- SW 4x10x0.15  
4x10x0.15mm  
Washer .....x8
- IGT8HF027  
4mm Cross Pin .....x4
- SF3x12mm  
Flat Head Hex Screw .....x8



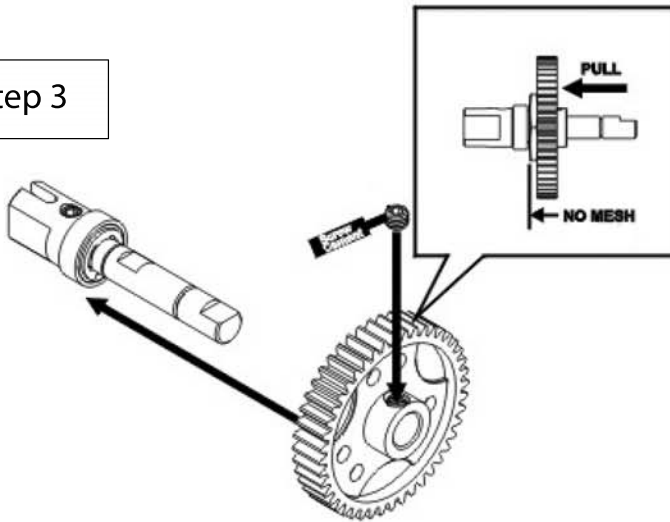
Step 1



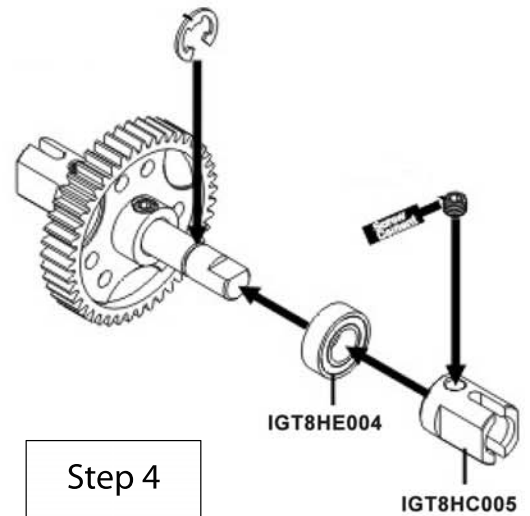
Step 2



Step 3



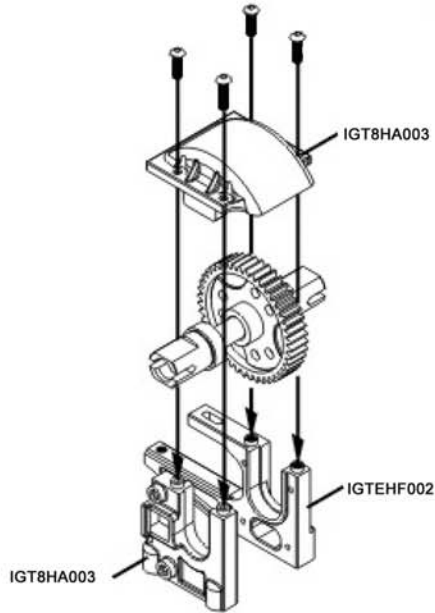
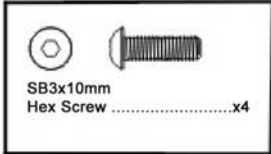
Step 4



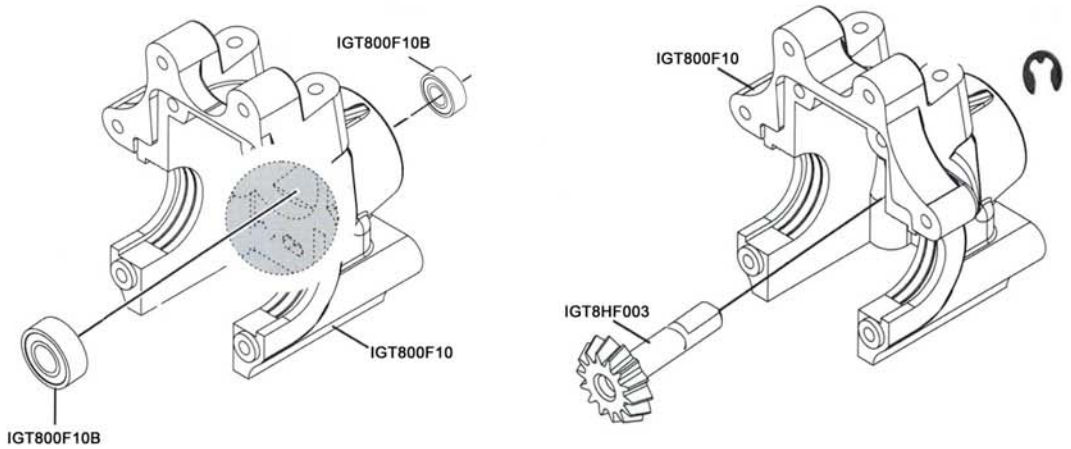
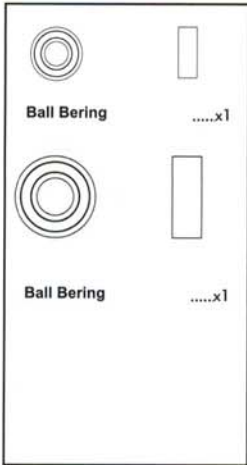
-    
6mm E-Ring ....x2
-    
5x4mm set screw .....x3

### 3 ASSEMBLY OF THE CENTER DIFF. MOUNT

**BAG 5**



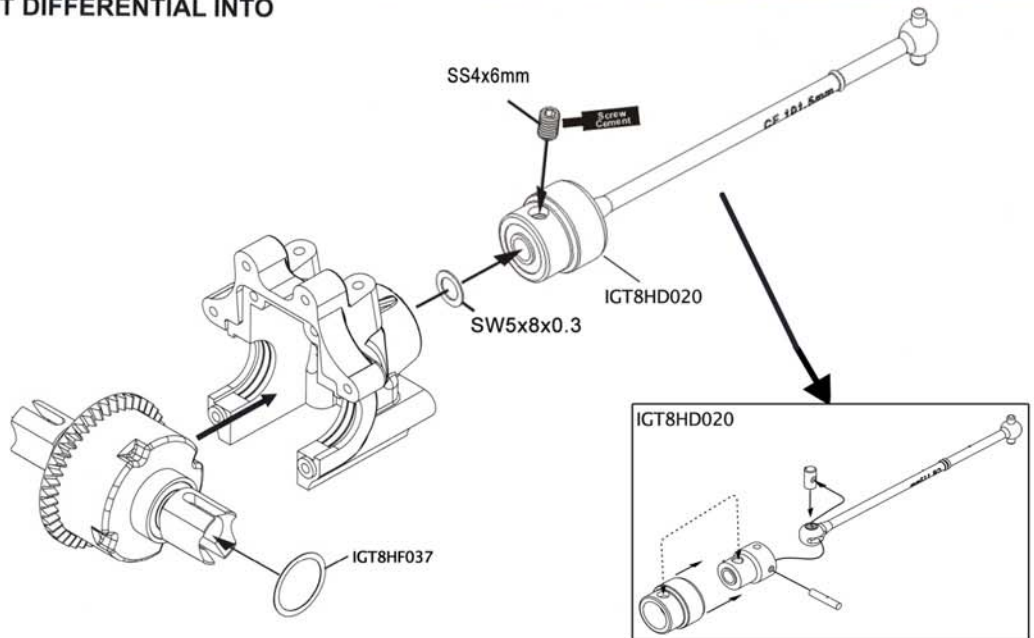
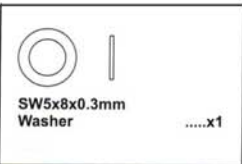
### 4 ASSEMBLY OF THE FRONT GEAR CASE



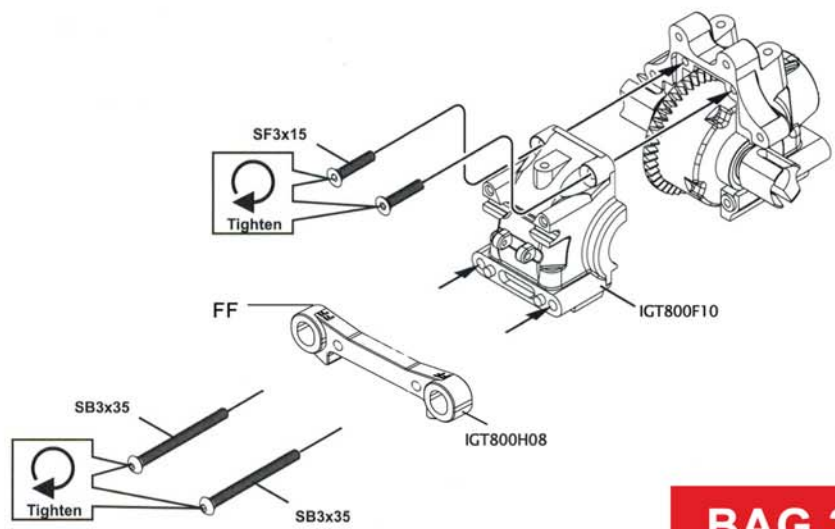
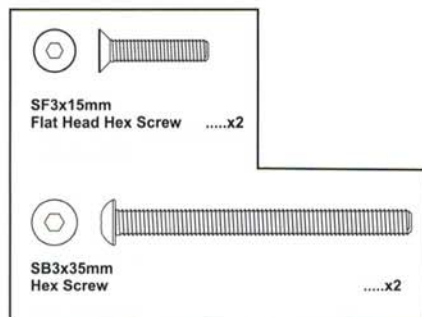
**BAG 2**

### 5 ASSEMBLY OF THE FRONT DIFFERENTIAL INTO GEAR CASE

Adjust the backlash with the Shims.

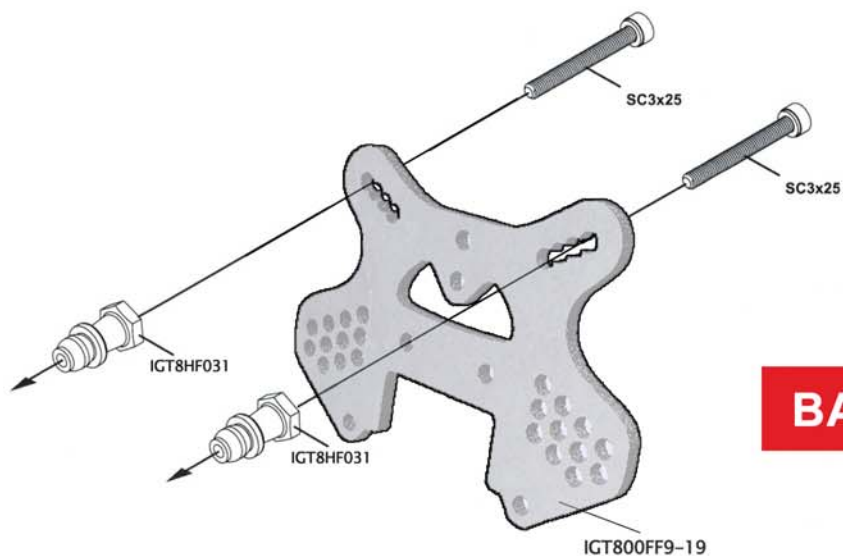
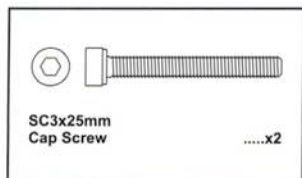


## 6 ASSEMBLY OF THE FRONT DIFFERENTIAL INTO GEAR CASE



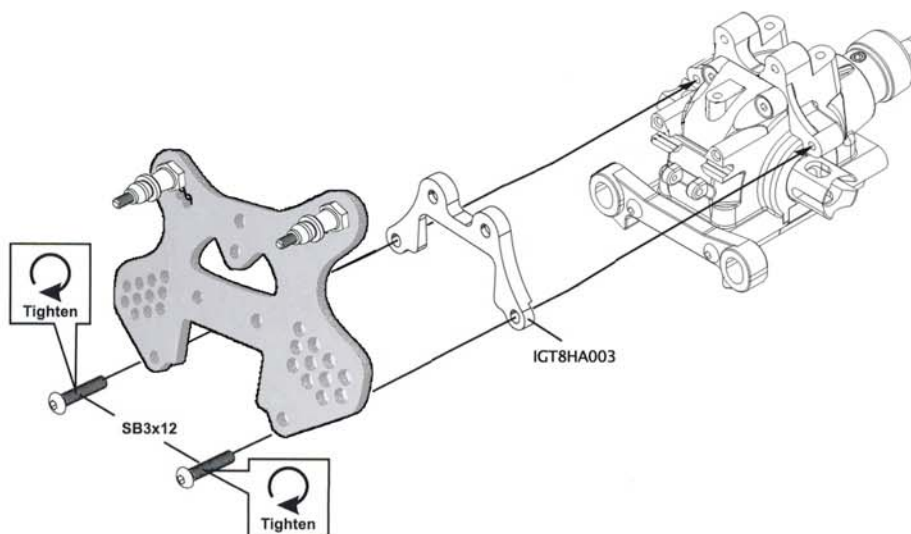
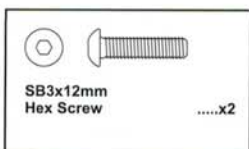
**BAG 2**

## 7 ASSEMBLY OF THE FRONT SHOCK STAY



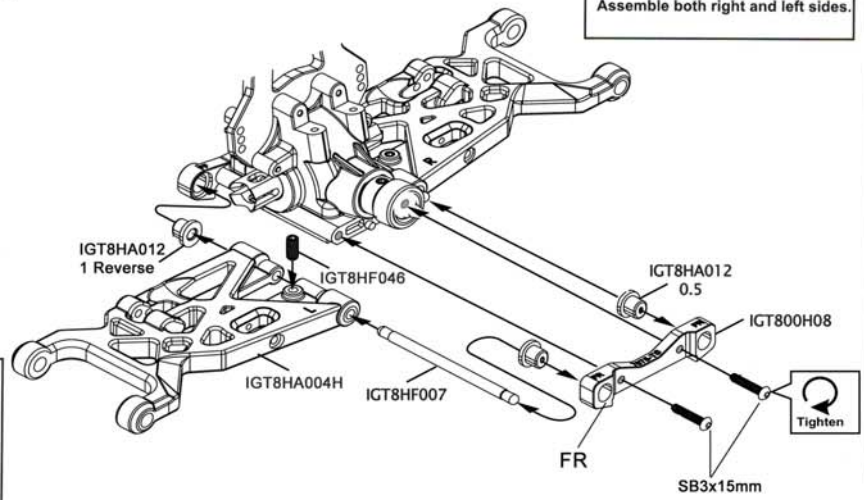
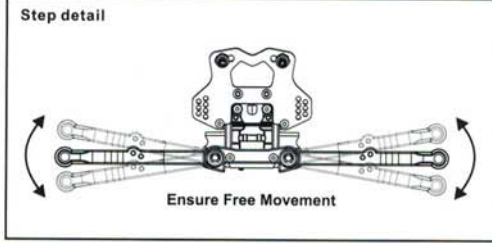
**BAG 2**

## 8 ASSEMBLY OF THE FRONT SHOCK STAY ONTO GEAR CASE



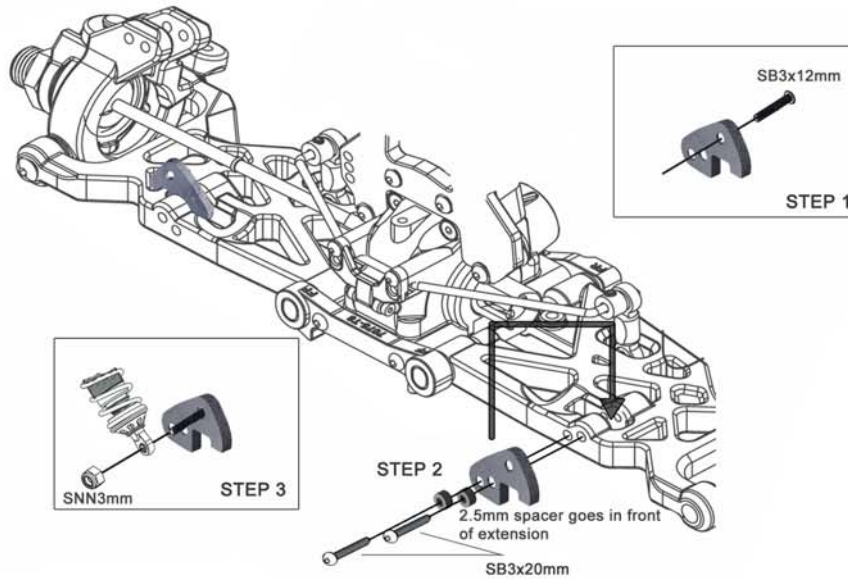
## 9 ASSEMBLY OF THE FRONT LOWER ARMS

Assemble both right and left sides.



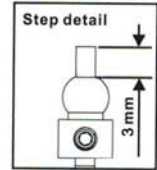
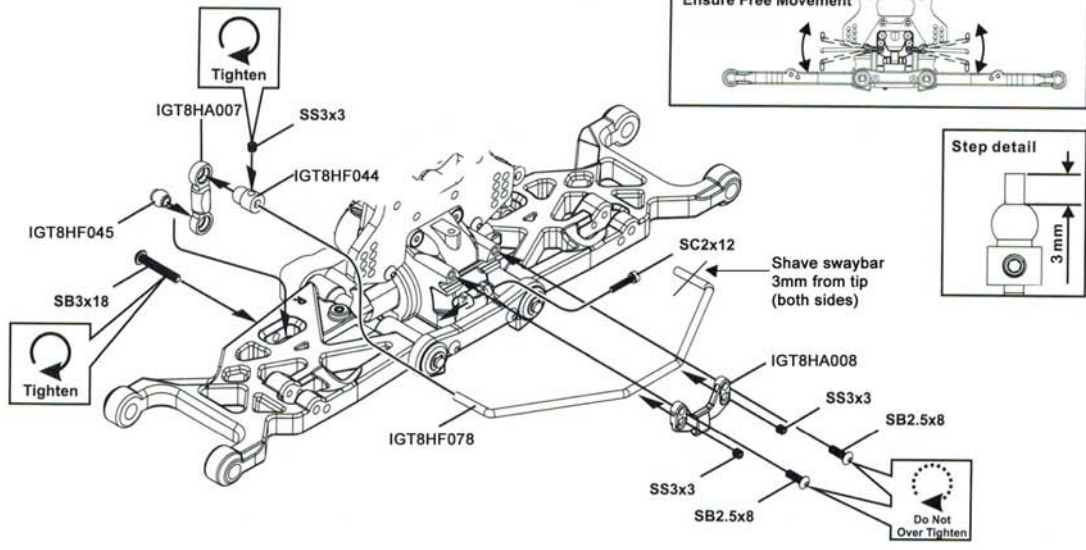
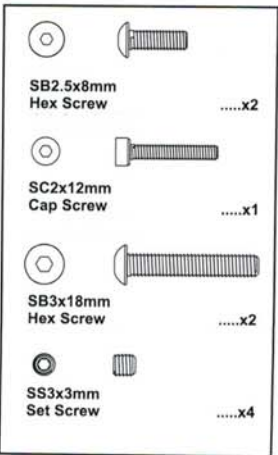
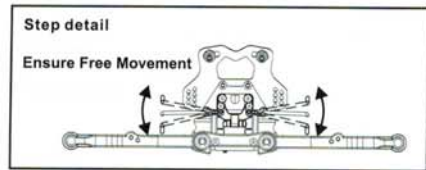
**BAG 2**

## 10 ASSEMBLY OF THE SHOCK EXTENSIONS



## 11 ASSEMBLY OF THE FRONT STABILIZER ROD

**BAG 2**



Do Not Over Tighten

## 12 ASSEMBLY OF THE FRONT KNUCKLE ARMS

**BAG 2**

**LEFT SIDE**

**Step 1**

IGT8HE001  
13x20x4mm  
Ball Bearing .....x2

IGT8HE006  
8x14x4mm  
Ball Bearing .....x2

SS3x6mm  
Set Screw .....x4

3xmm Nylon Nut .....x2

IGT800H14  
Note - Optional 12  
degrees plastic  
C-Hub also included

LEFT SIDE

Step 1

Step 2

Step 3

Note - Kit comes with 2 caster options:  
12 degree plastic (shown) and  
10 degree aluminum

**Step detail**

IGT8HF040

3x6

Sst Screw position

SS3x6

SS3x6

Assemble both right and left sides.

## 13 ASSEMBLY OF THE FRONT CVD INTO KNUCKLE ARMS

**BAG 2**

**LEFT SIDE**

Assemble both right and left side.

IGT8HF070  
2.5x12.8mm Pin .....x2

IGT8HF039  
2.5x16.8mm Pin .....x2

SS4x4mm  
Set Screw .....x2

IGT8HF070

IGT8HD004

IGT8HF071

Front CVD 107.5mm

IGT8HF039

IGT8HF052

SS4x4

Use screw cement (blue)

Tighten

Right side

## 14 ASSEMBLY OF THE KNUCKLE ARMS ONTO FRONT LOWER ARMS

**Step 1**

IGT8HF042

Step 2

Assemble both right and left sides.

\*Insert the front drive shaft into cap joint before assembly.

**Step detail**

Ensure Free Movement

4x18mm  
Hex Screw .....x4

SB4x18

SB4x18

Do Not Over Tighten

Do Not Over Tighten

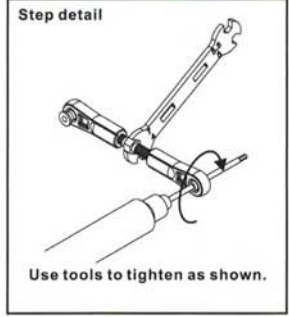
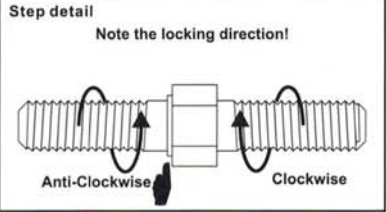
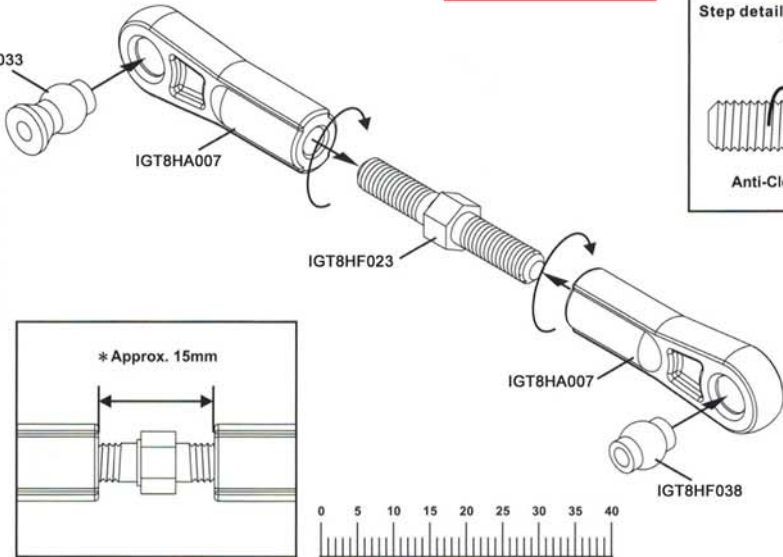
# 15 ASSEMBLY OF THE FRONT UPPER ARMS

**BAG 2**

Assemble both left and right sides.

LEFT SIDE

- IGT8HF033 7x12mm Ball .....x2
- IGT8HF038 7mm Ball .....x2
- IGT8HF023 5x35mm Turnbuckle .....x2

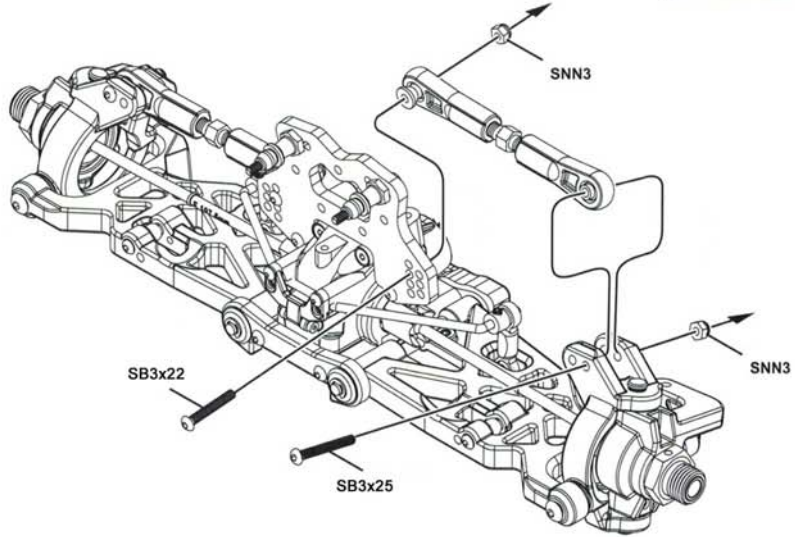


# 16 ASSEMBLY OF THE FRONT UPPER ARMS

Assemble both right and left sides.

LEFT SIDE

- SNN3mm Nylon Nut .....x4
- SB3x22mm Hex Screw .....x2
- SB3x20mm Hex Screw .....x2

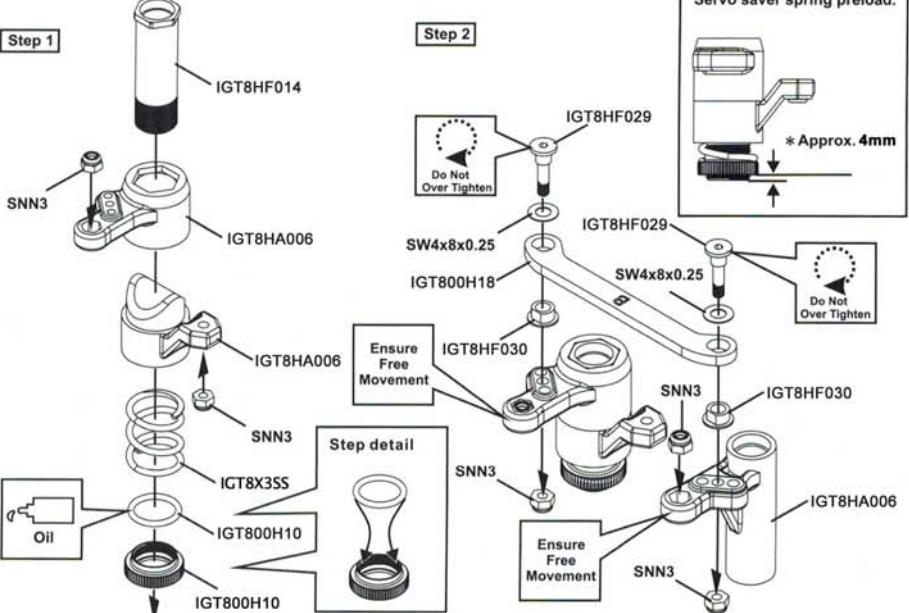


# 17 ASSEMBLY OF THE SERVO SAVER

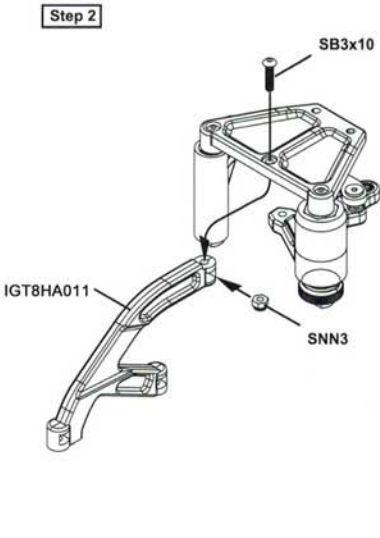
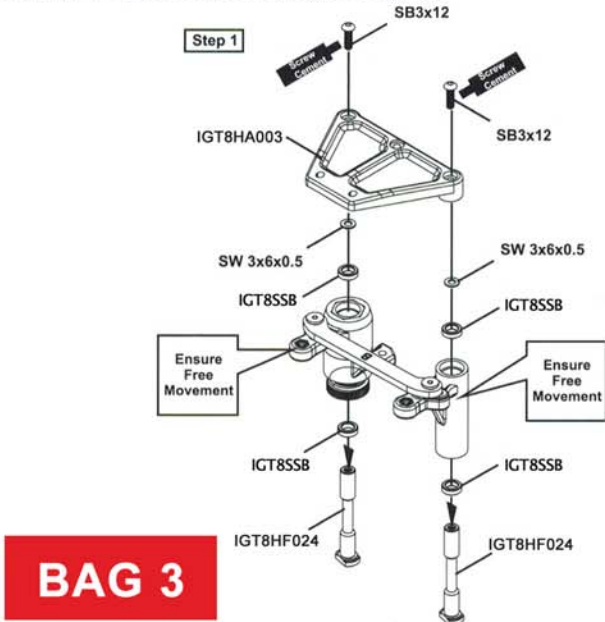
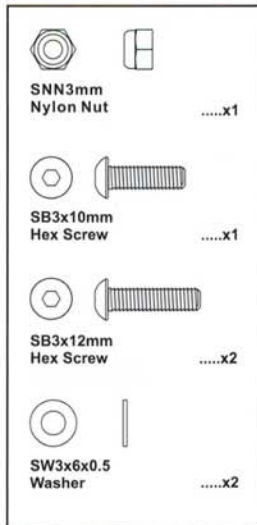
**BAG 3**

Servo saver spring preload.

- IGT8HF029 Steering Plat Hex Screw .....x2
- IGT800H10 12x1.7mm O-Ring .....x1
- SNN3mm Nylon Nut .....x3
- SW4x8x0.25 Washer .....x2

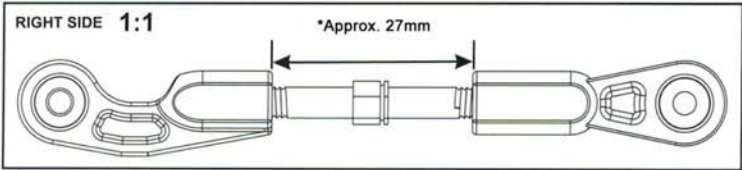
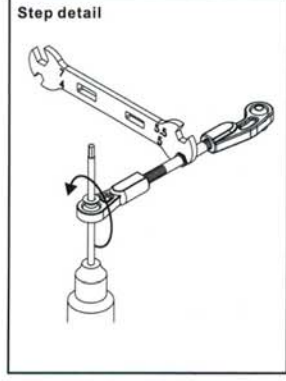
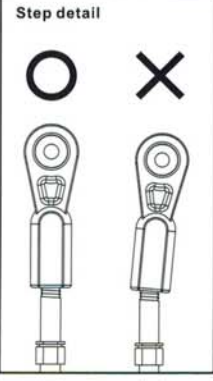
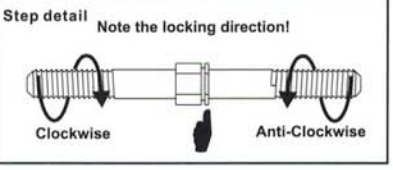
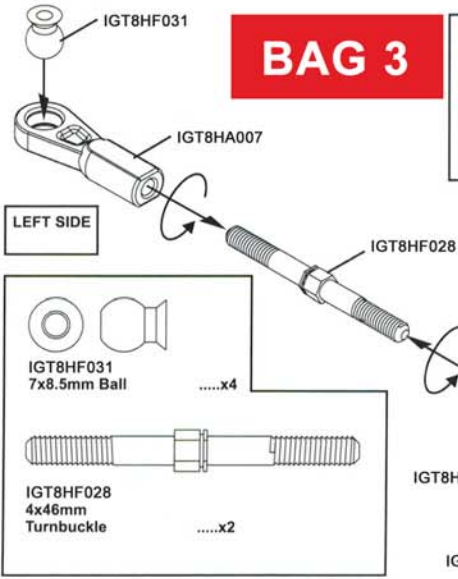


## 18 ASSEMBLY OF THE FRONT PLATE ONTO SERVO SAVER



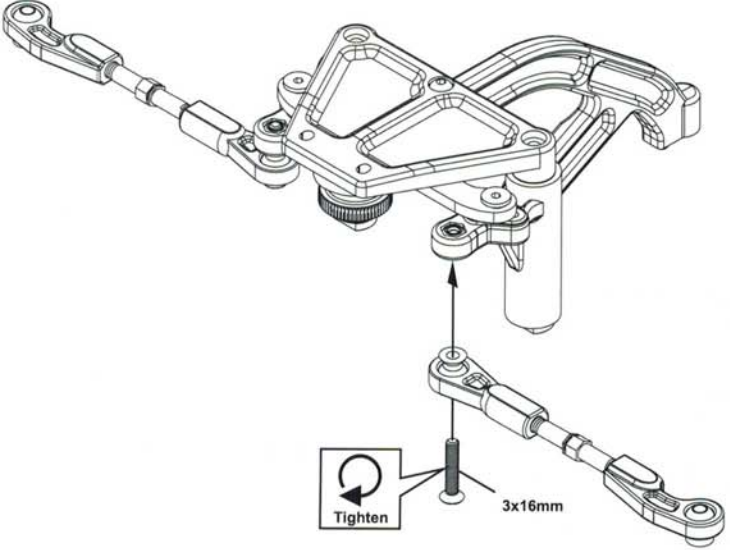
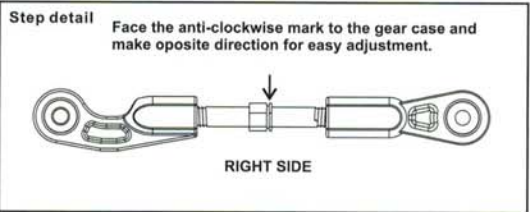
## 19 ASSEMBLY OF THE STEERING TIE-ROD

Make two steering rods for left and right hand sides.



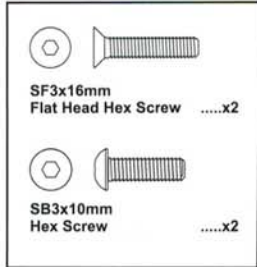
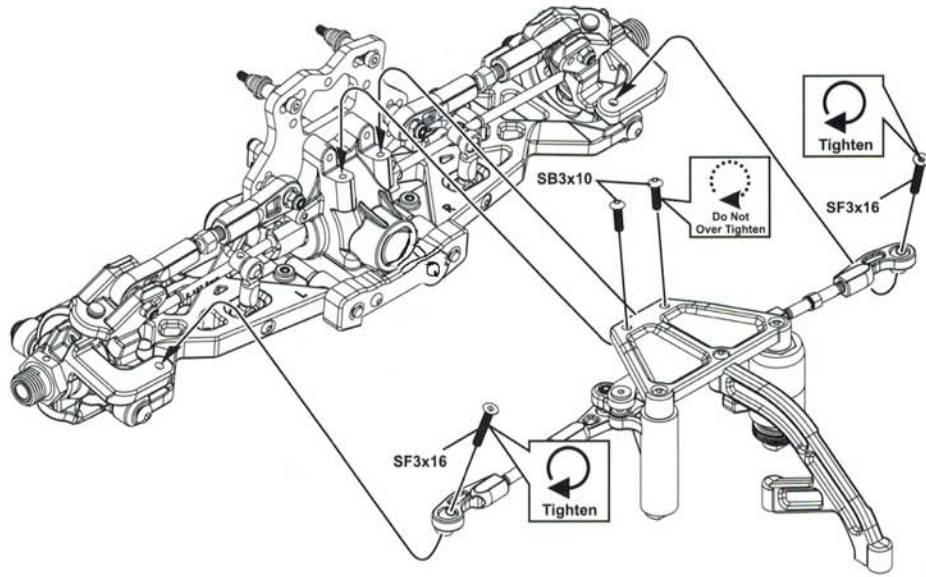
## 20 ASSEMBLY OF THE STEERING TIE-ROD

**BAG 3**



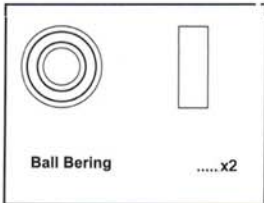
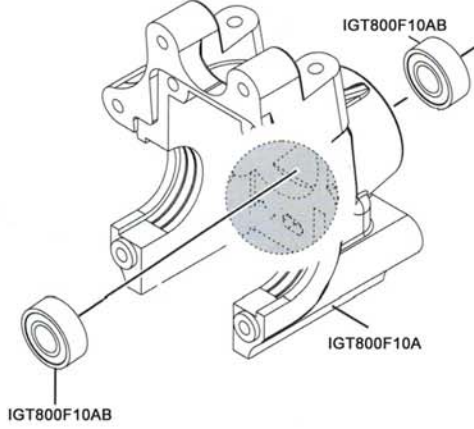


**21 ASSEMBLY OF THE SERVO SAVE R ONTO THE FRONT GEAR BOX**



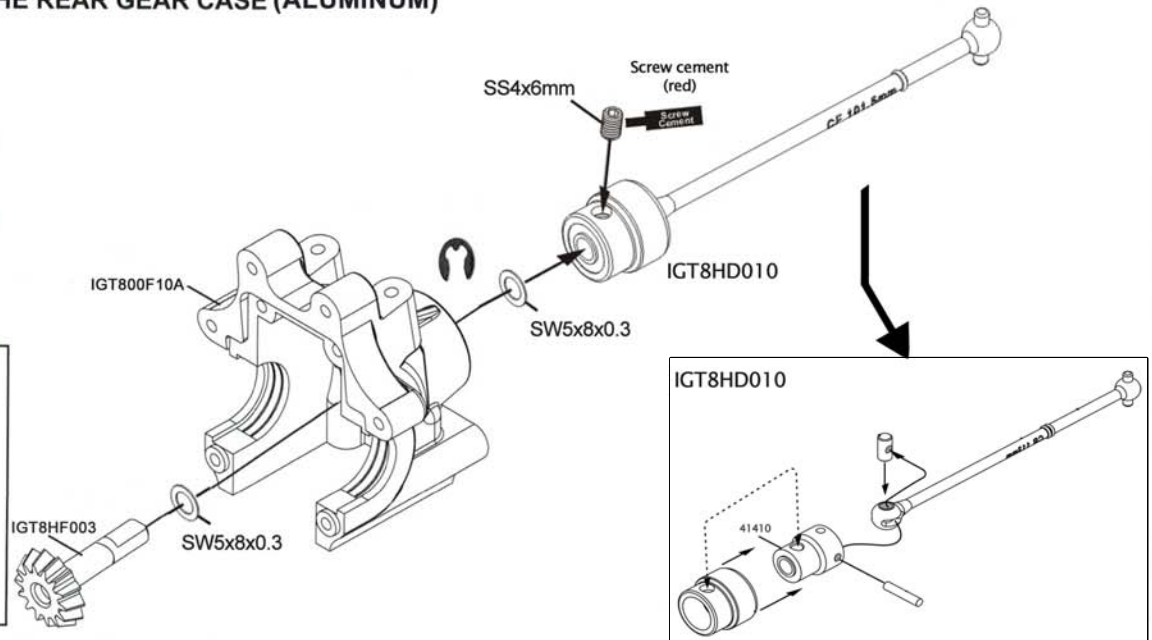
**22 ASSEMBLY OF THE REAR GEAR CASE (ALUMINUM)**

**BAG 4**



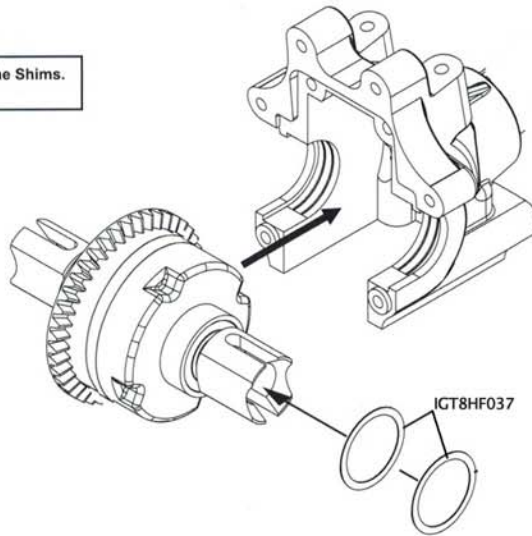
**23 ASSEMBLY OF THE REAR GEAR CASE (ALUMINUM)**

**BAG 4**



## 24 ASSEMBLY OF THE REAR DIFFERENTIAL INTO GEAR CASE

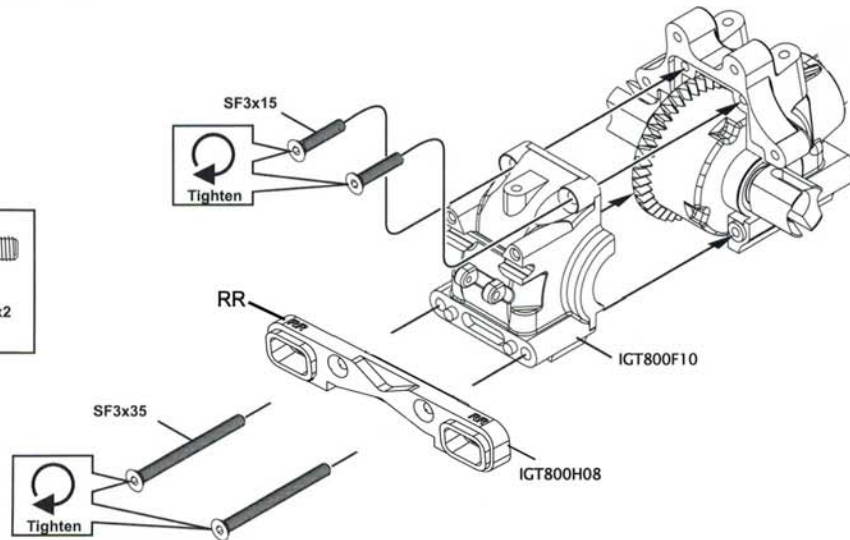
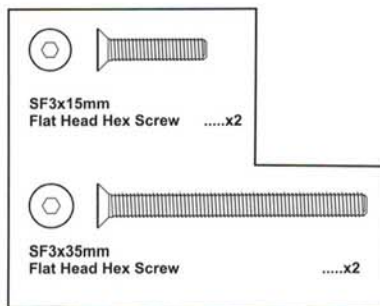
Adjust the backlash with the Shims.



**BAG 1**

**BAG 4**

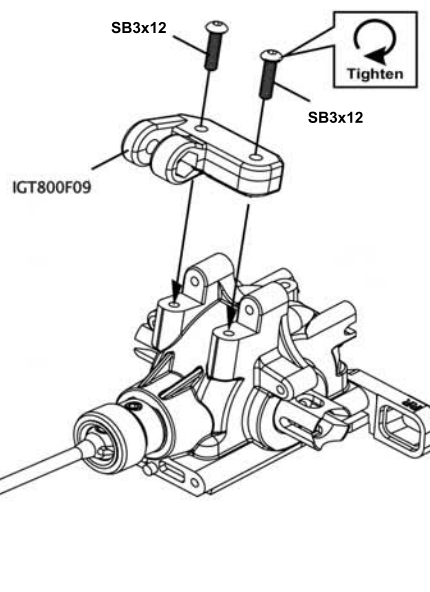
## 25 ASSEMBLY OF THE REAR GEAR CASE COVER AND LOWER ARM HOLDERS



**BAG 4**

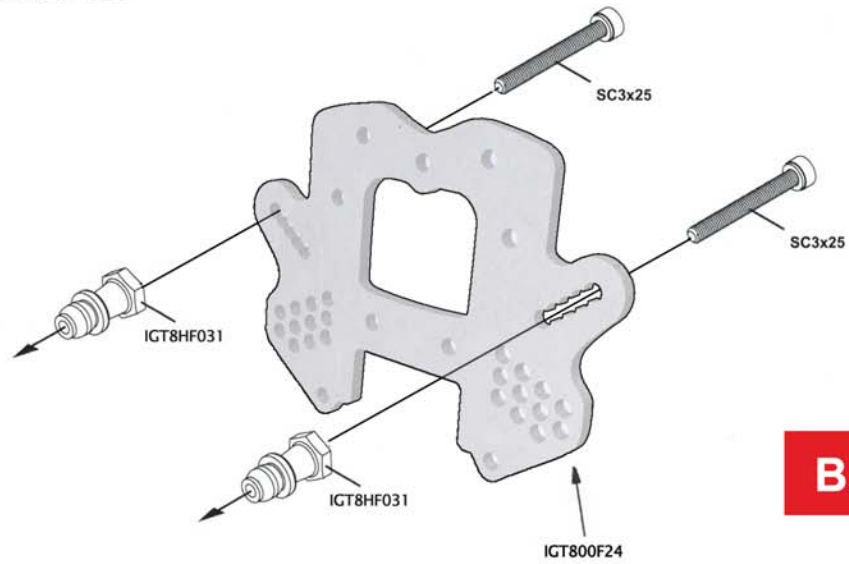
**BAG 11**

## 26 ASSEMBLY OF THE REAR BRACE MOUNT

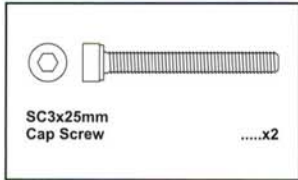


**BAG 2**

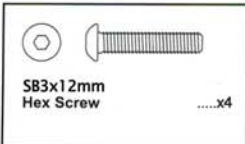
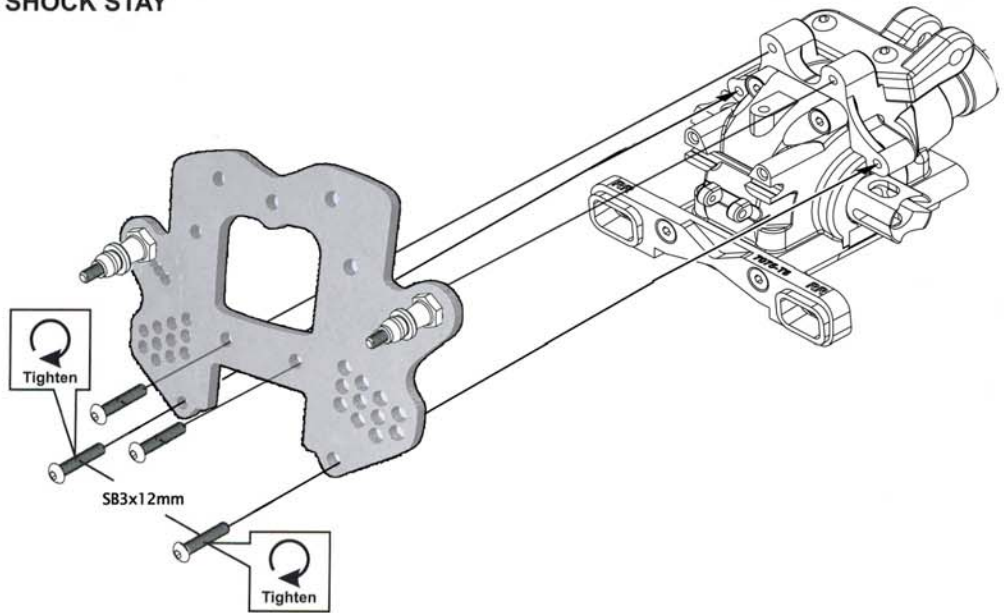
**27 ASSEMBLY OF THE REAR SHOCK STAY**



**BAG 4**



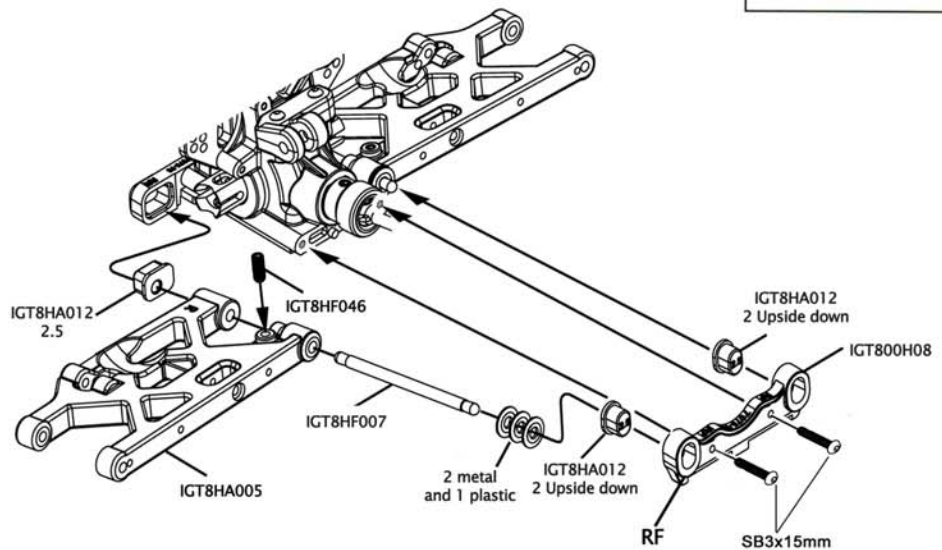
**28 ASSEMBLY OF THE REAR SHOCK STAY ONTO REAR GEAR CASE**



**29 ASSEMBLY OF THE REAR LOWER ARMS**

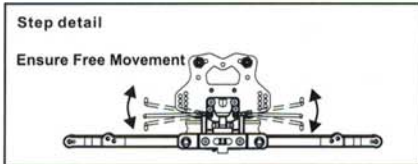
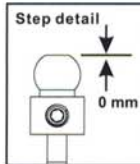
Assemble both right and left sides.

**BAG 4**

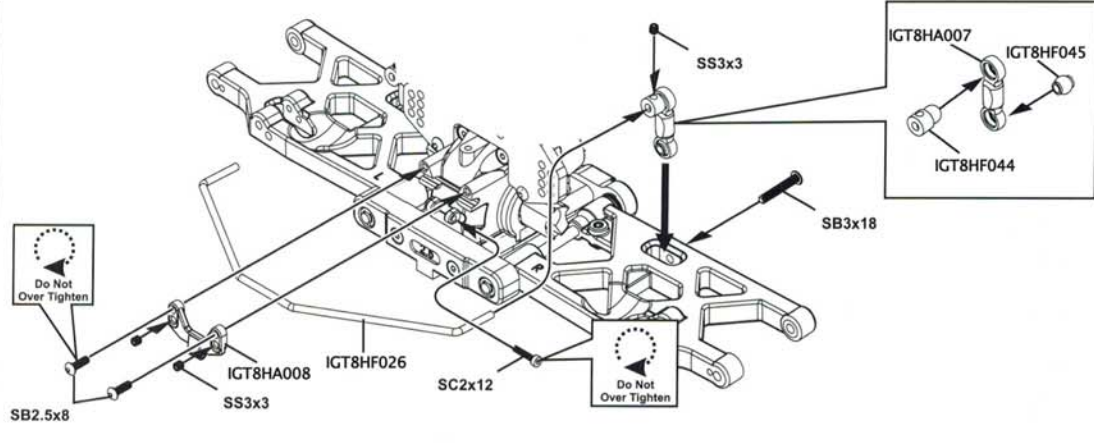


### 30 ASSEMBLY OF THE REAR STABILIZER

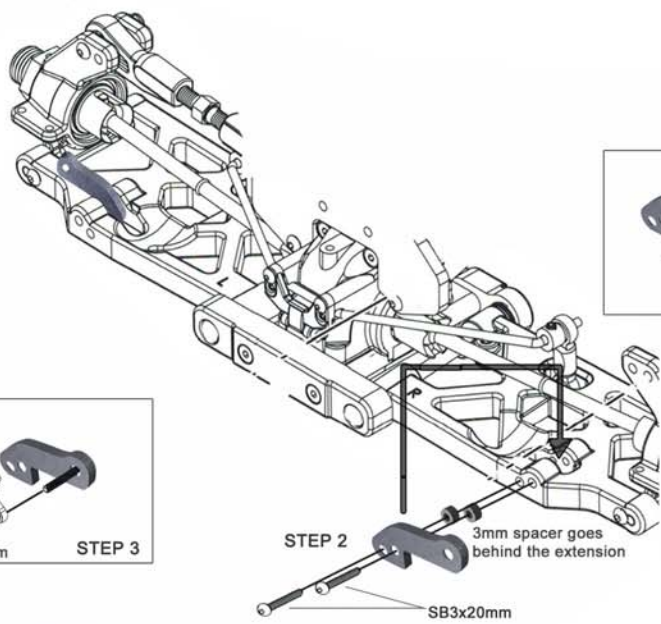
**BAG 4**



- SB2.5x8mm Hex Screw .....x2
- SC2x12mm Cap Screw .....x1
- SB3x18mm Hex Screw .....x2
- SS3x3mm Set Screw .....x4



### 31 ASSEMBLY OF THE SHOCK EXTENSIONS



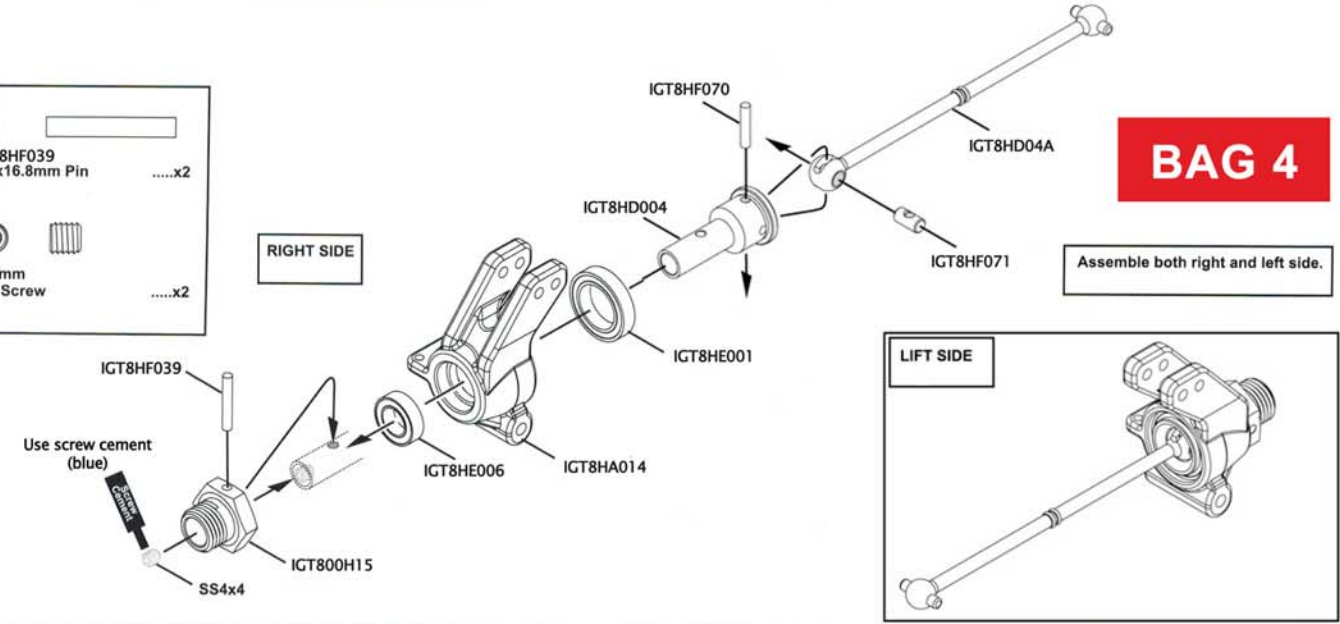
### 32 ASSEMBLY OF THE REAR WHEEL HUBS

**BAG 4**

- IGT8HF039 2.5x16.8mm Pin .....x2
- 4x4mm Set Screw .....x2

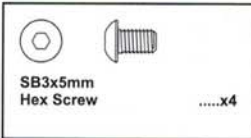
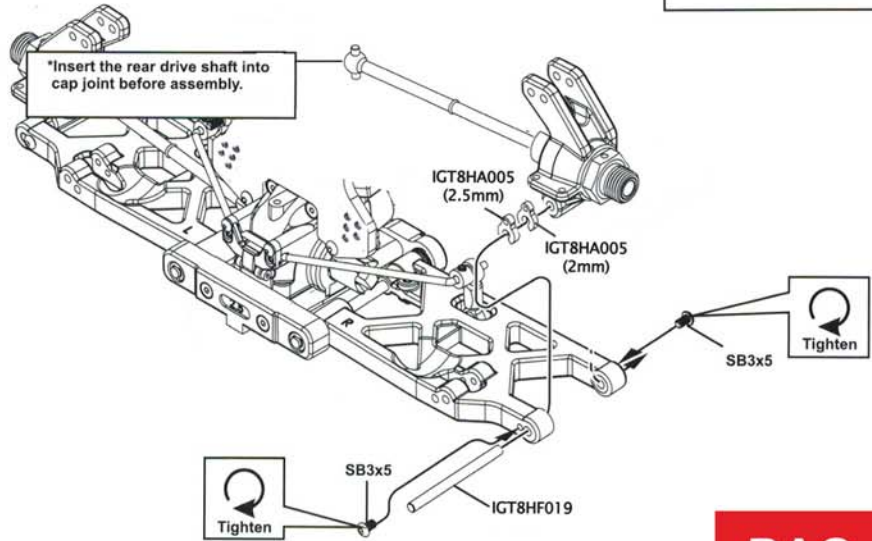
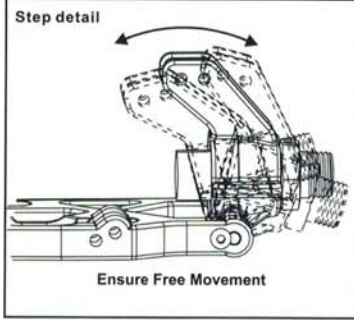
RIGHT SIDE

Assemble both right and left side.



### 33 ASSEMBLY OF THE REAR SUSPENSION ARMS

Assemble both right and left sides.



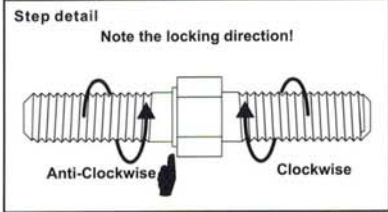
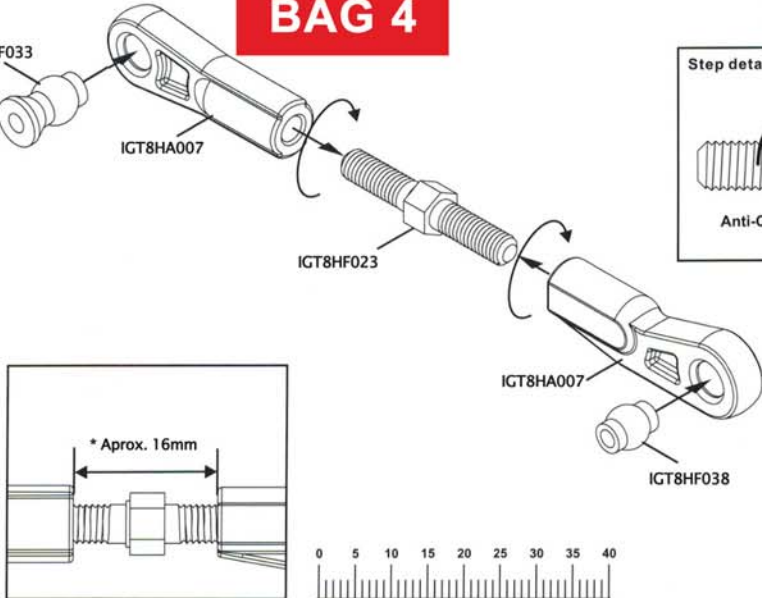
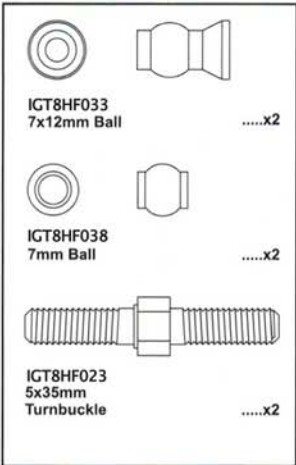
**BAG 4**

### 34 ASSEMBLY OF THE REAR UPPER ARMS

Assemble both left and right sides.

RIGHT SIDE

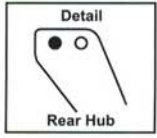
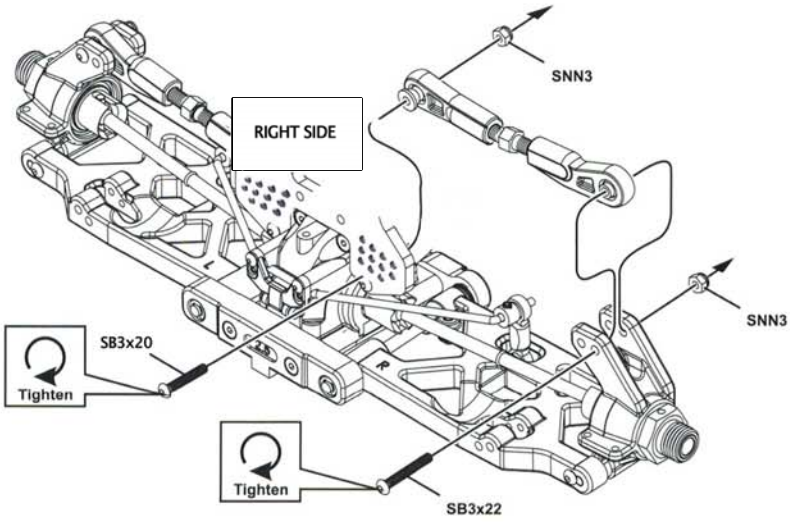
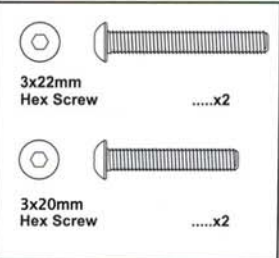
**BAG 4**



### 35 ASSEMBLY OF THE REAR UPPER ARMS

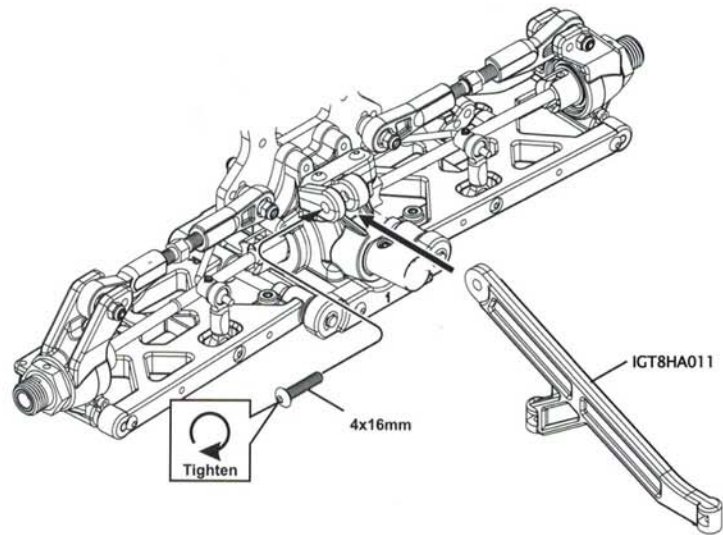
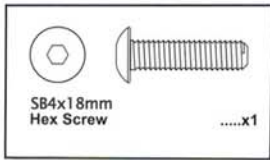
Assemble both right and left sides.

**BAG 4**



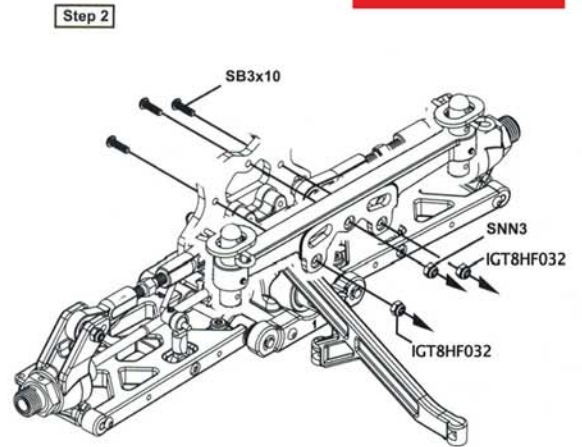
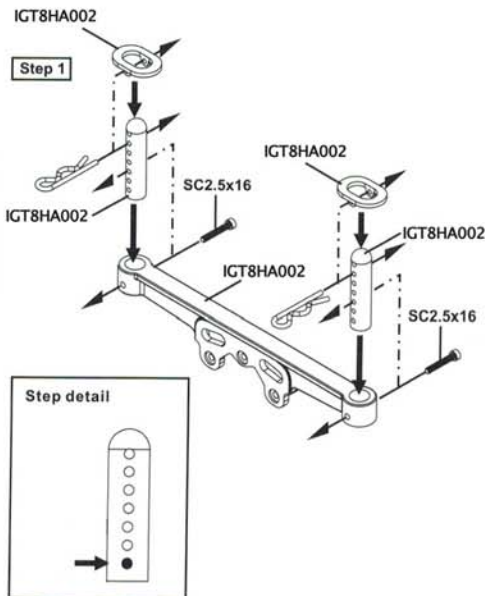
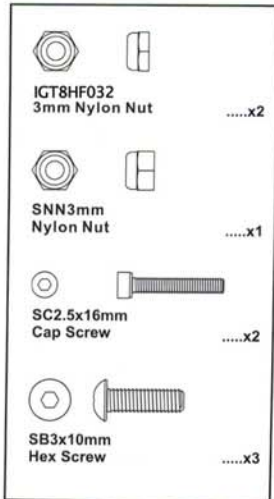
### 36 ASSEMBLY OF THE REAR CENTER BRACE

**BAG 4**



### 37 ASSEMBLY OF THE REAR BODY POST


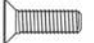




**BAG 8**

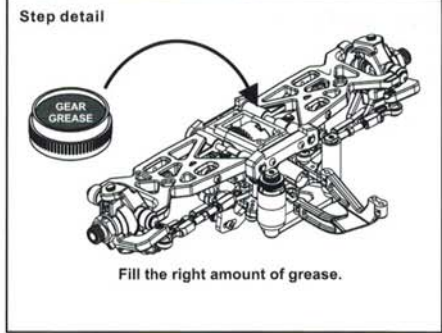
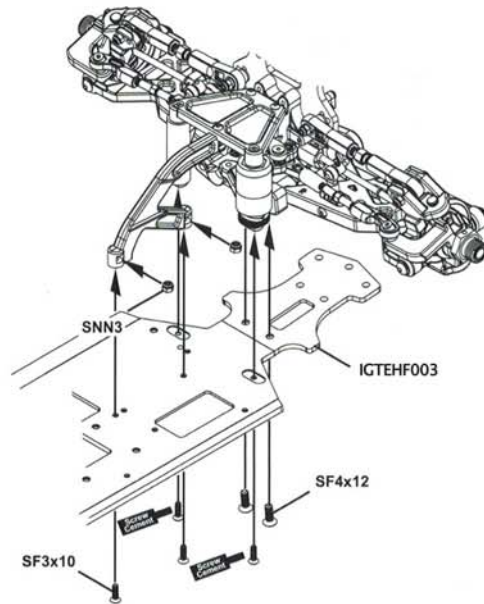


38











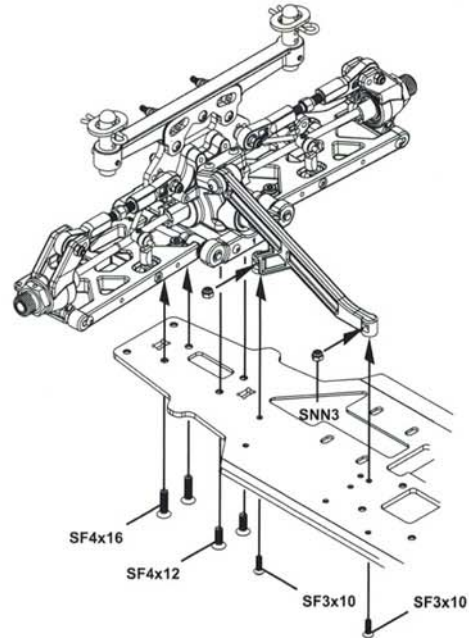
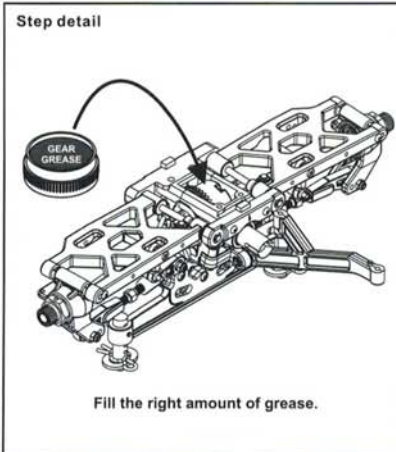
### 39 ASSEMBLY OF THE FRONT GEAR CASE ONTO CHASSIS

-   SF3x10mm Flat Head Hex Screw .....x4
-   SF4x12mm Flat Head Hex Screw .....x2
-   SNN3mm Nylon Nut .....x2



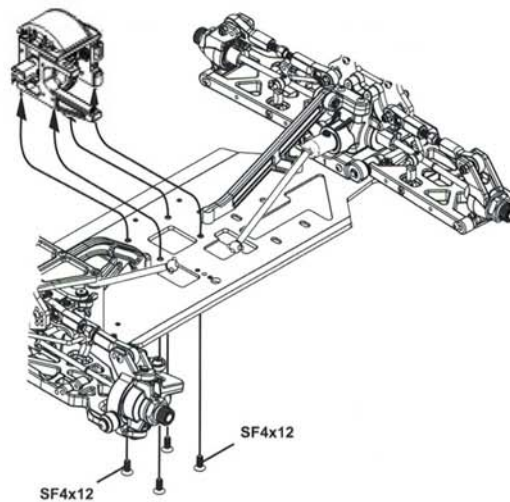
### 40 ASSEMBLY OF THE REAR GEAR CASE ONTO CHASSIS

-   SF3x10mm Flat Head Hex Screw .....x2
-   SF4x12mm Flat Head Hex Screw .....x2
-   SF4x16mm Flat Head Hex Screw .....x2
-   SNN3mm Nylon Nut .....x2



### 41 ASSEMBLY OF THE CENTER DIFF. ONTO CHASSIS

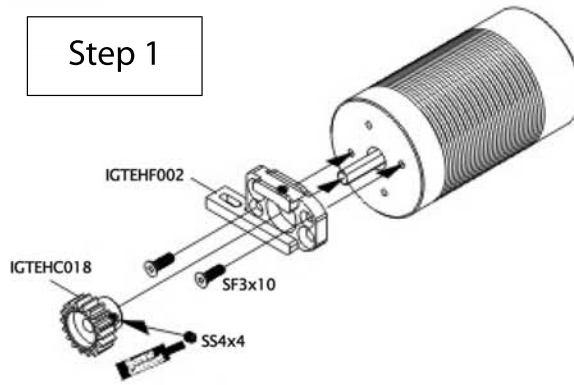
-   SF4x12mm Flat Head Hex Screw .....x4



## 42 ASSEMBLY OF THE MOTOR MOUNT

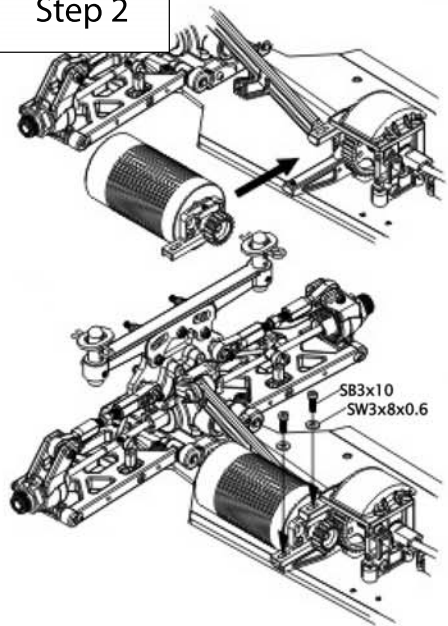
	SS4x4mm Set Screw	.....x1
	SF3x10mm Flat Head Hex Screw	.....x2
	SB3x10mm Hex Screw	.....x2
	SW3x8x0.6mm Washer	.....x2

Step 1



**BAG 5**

Step 2

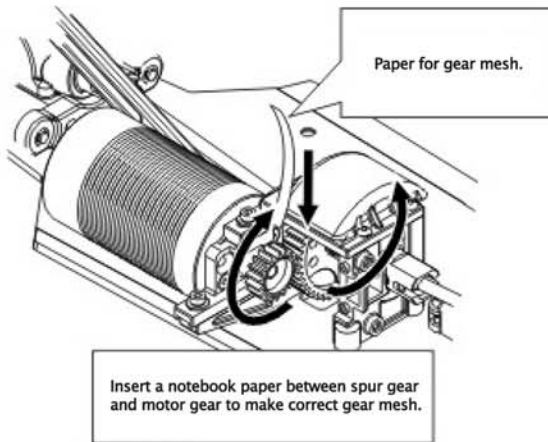


Step 3

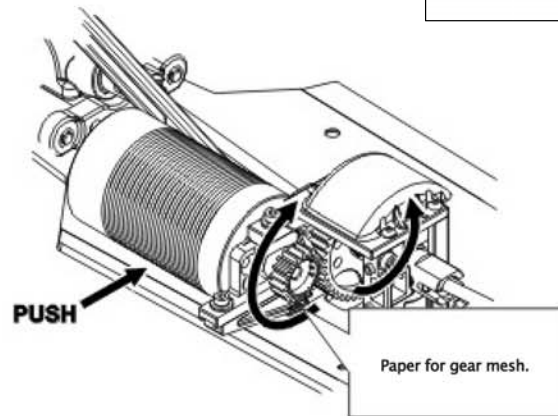
## 43 ADJUST MOTOR AND SPUR GEAR MAINTENANCE

**EXTREMELY IMPORTANT**

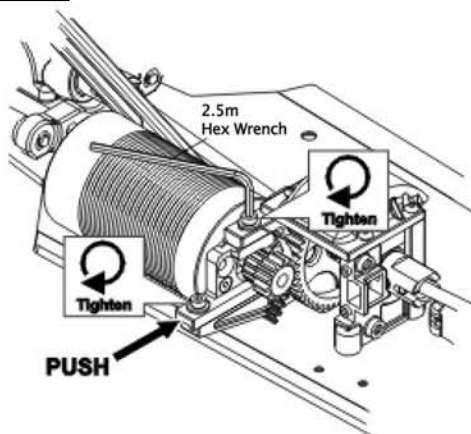
Step 1



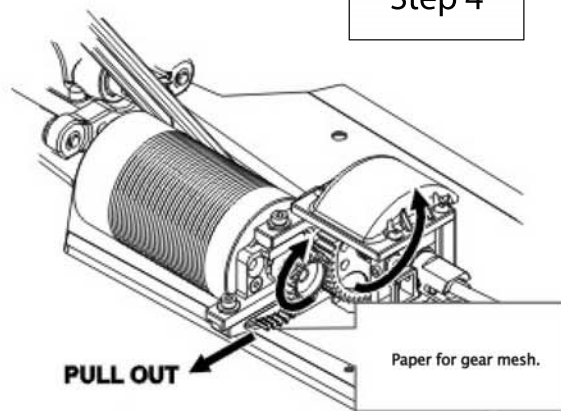
Step 2



Step 3



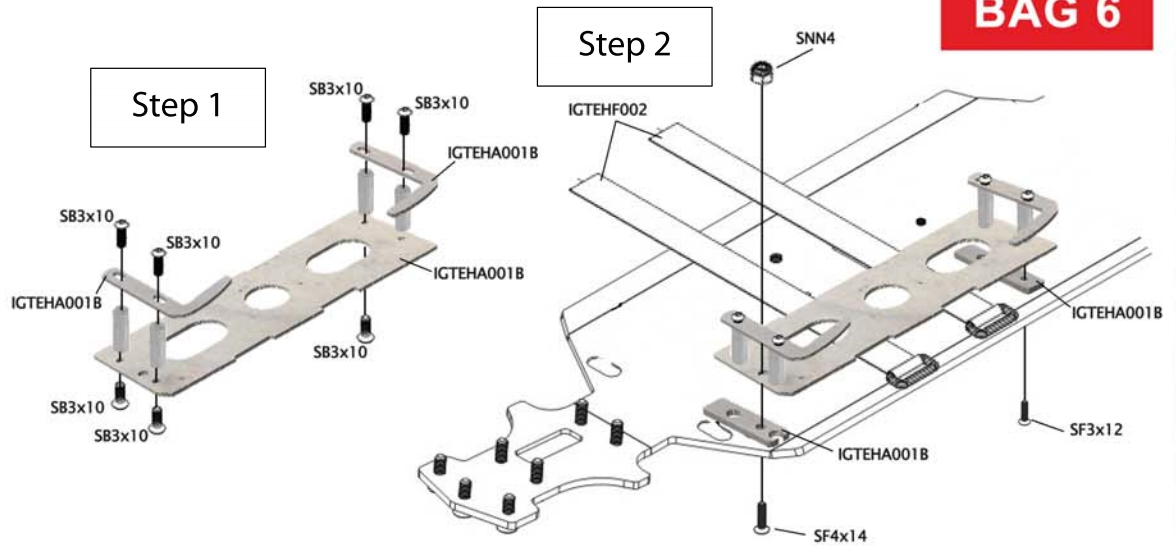
Step 4



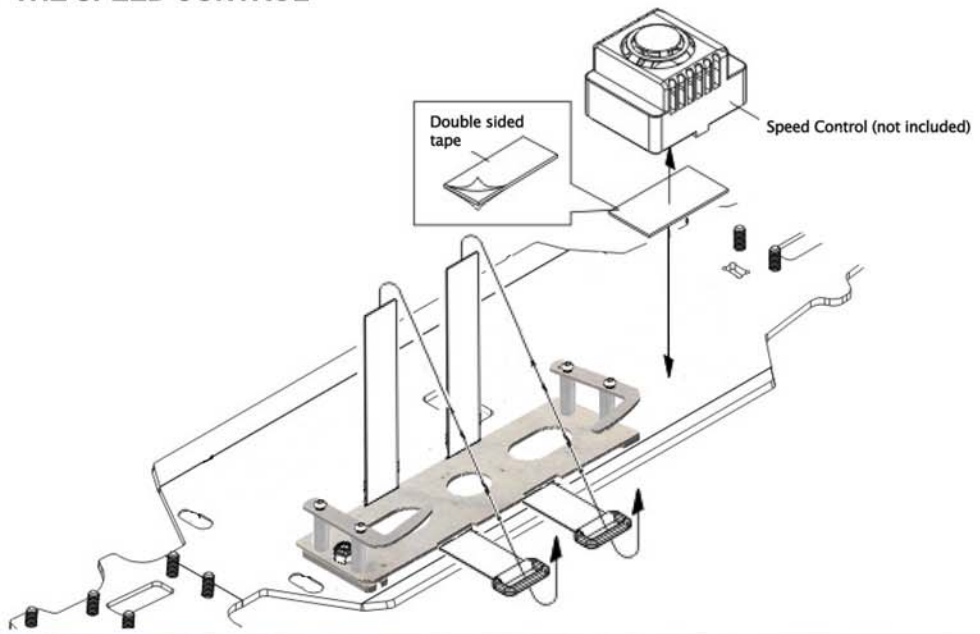


# 45 ASSEMBLY OF THE BATTERY HOLDER

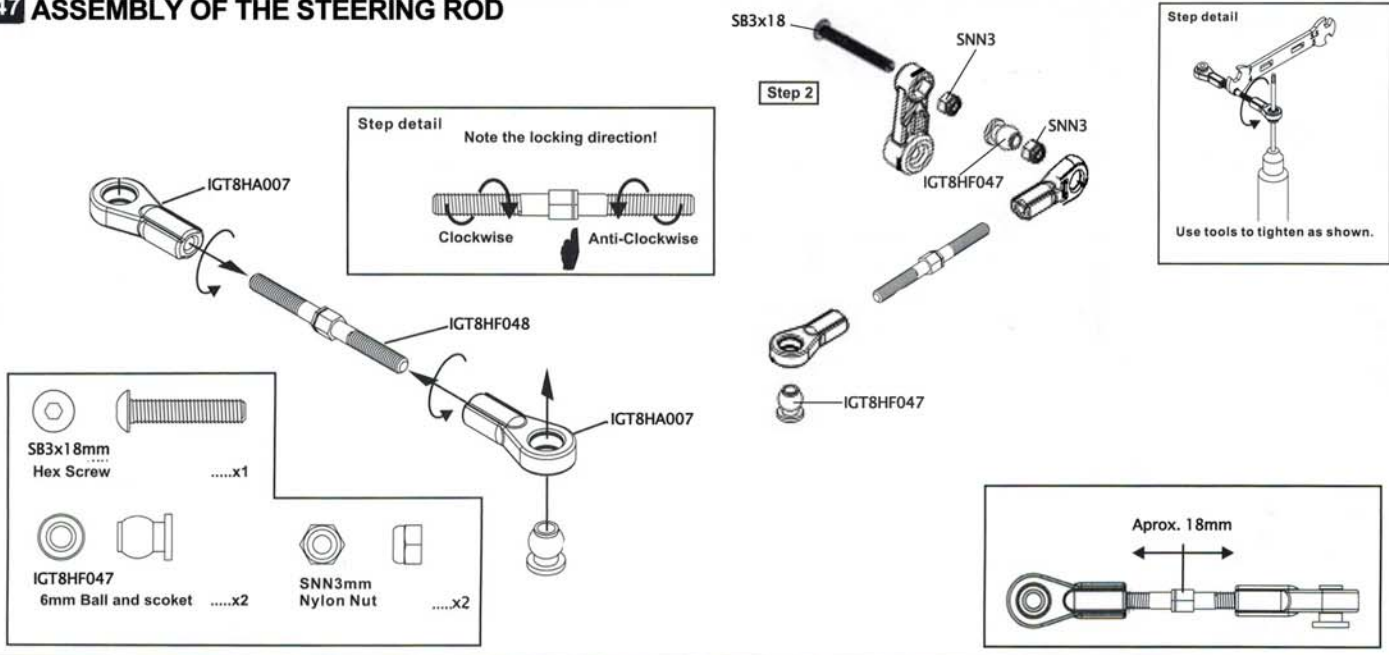
**BAG 6**



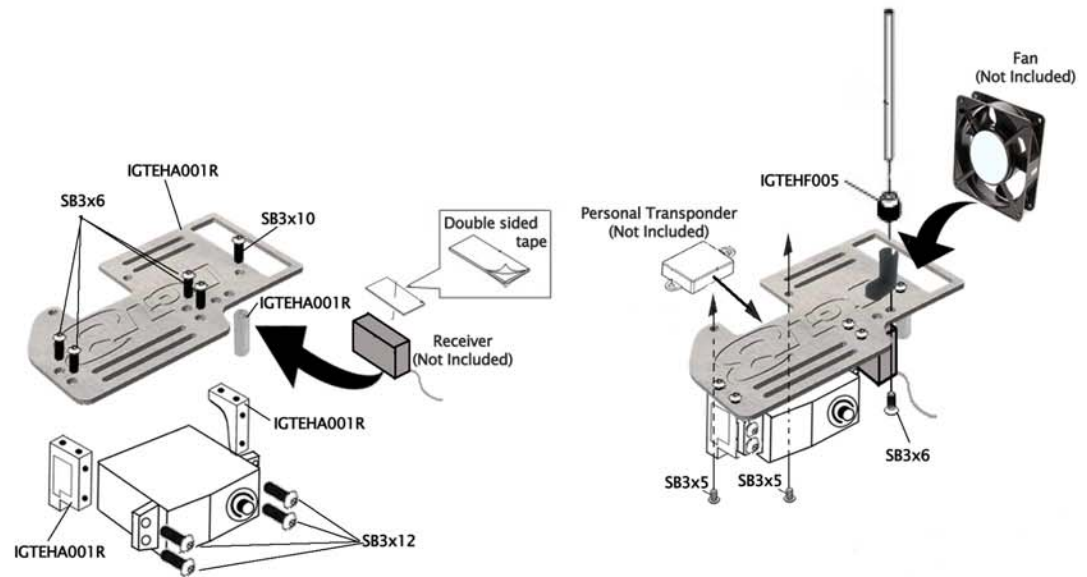
# 46 ASSEMBLY OF THE SPEED CONTROL



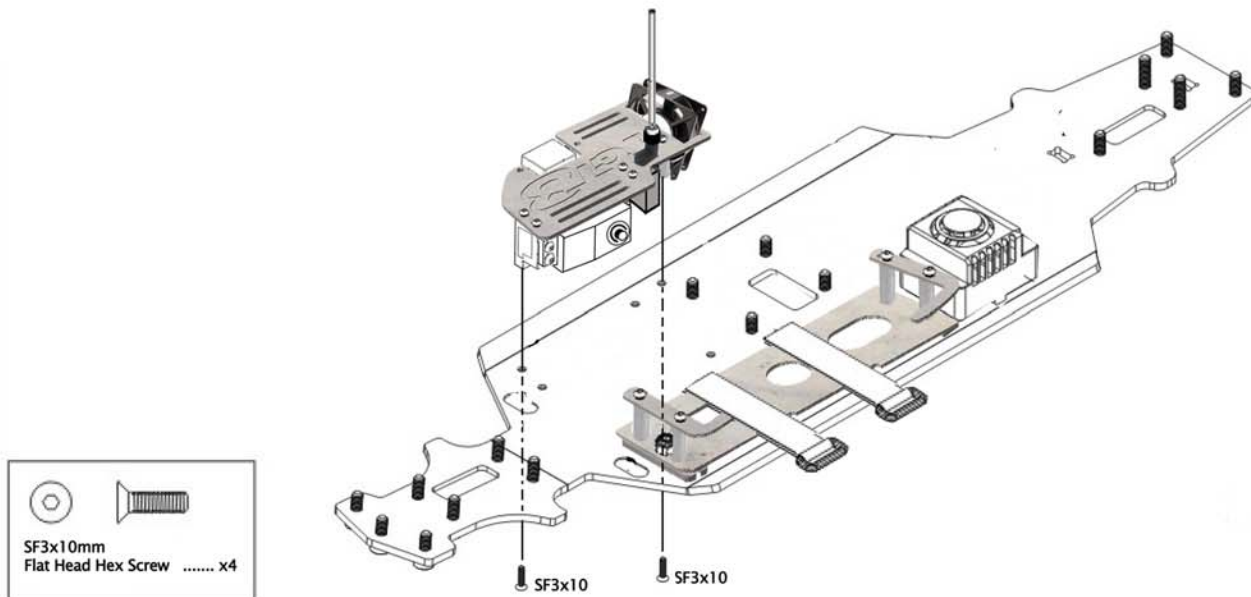
# 47 ASSEMBLY OF THE STEERING ROD



## 48 ASSEMBLY OF THE STEERING SERVO AND RECEIVER



## 49 ASSEMBLY OF THE RADIO TRAY ONTO CHASSIS



## 68 ASSEMBLY OF THE SHOCK SHAFTS

Assemble both left and right sides.

### BAG 9



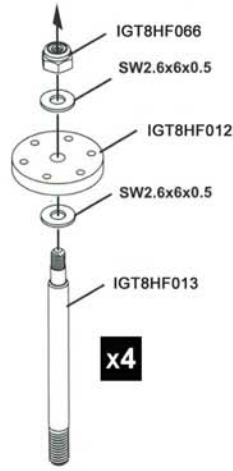
Use 1.3x6 holes piston for front and rear.



SNN2.6mm Nylon Nut .....x2



SW2.6x6x0.5mm Washer .....x4

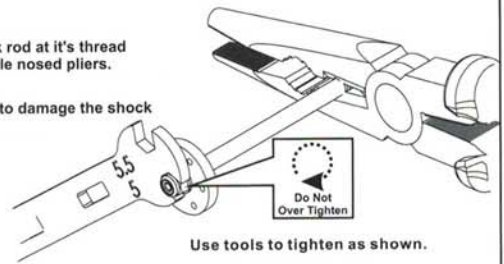


x4

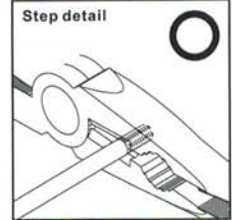
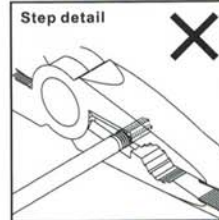
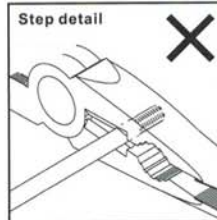
FRONT & REAR SHOCK

Step detail

- Hold the shock rod at its thread with side needle nosed pliers.
- Be careful not to damage the shock shaft.



Use tools to tighten as shown.



## 69 ASSEMBLY OF THE SHOCK O-RING

Assemble both left and right sides.



IGT8HF011 1mm Washer .....x4



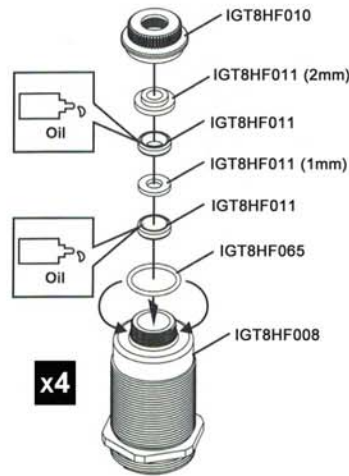
IGT8HF011 2mm Washer .....x4



IGT8HF011 3.5mm O-Ring .....x8



IGT8HF065 P10 O-RING .....x4



x4

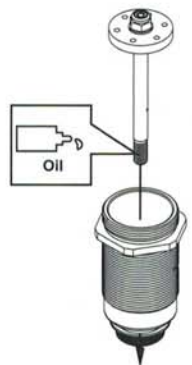
FRONT & REAR SHOCK

### BAG 9

## 70 ASSEMBLY OF THE SHOCK SHAFTS INTO SHOCK BODIES

Assemble both left and right sides.

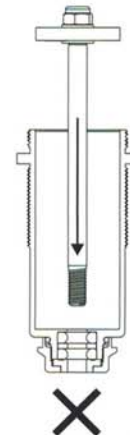
### BAG 9



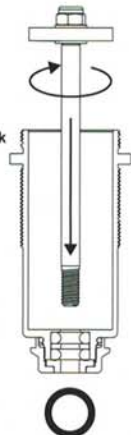
FRONT & REAR SHOCK

**⚠ EXTREMELY IMPORTANT**

Do not push the shock shaft straight down, O-ring can be damaged.



Slowly twist the shock shaft down to the bottom.

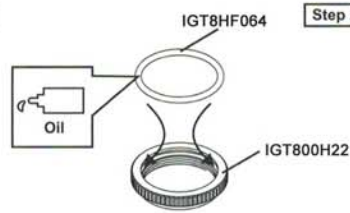


## 71 ASSEMBLY OF THE SHOCK ADJUST RING

Assemble both left and right sides.

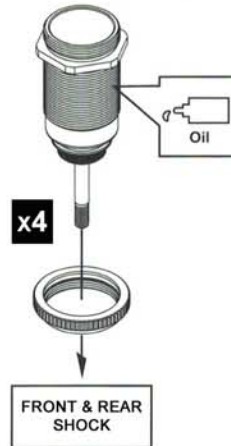
**BAG 9**

Step 1

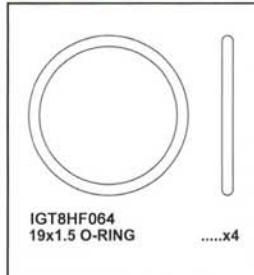
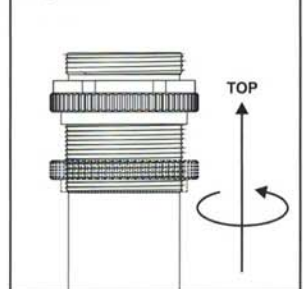


Step 2

Fit the o-ring into groove before assembly.



Step detail



## 72 ASSEMBLY OF THE SHOCK BALL END

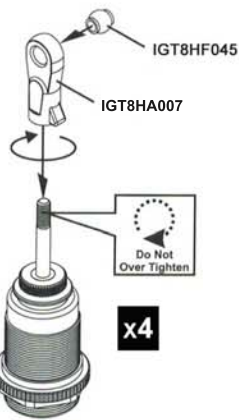
**BAG 9**

Assemble both left and right sides.

Step detail



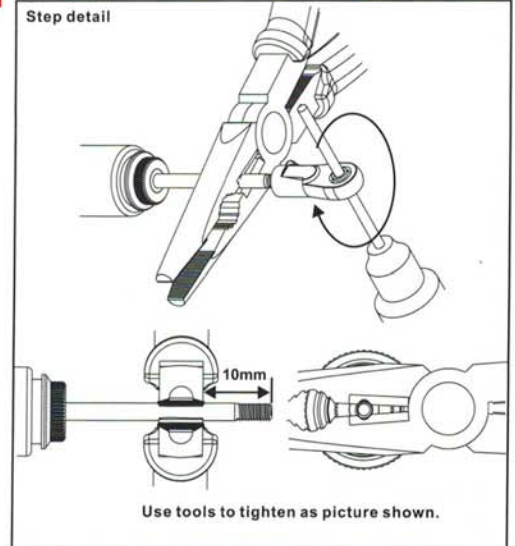
Attention distance.



x4

FRONT & REAR SHOCK

Step detail

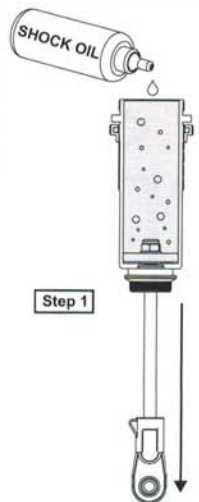


## 73 SETTING THE SHOCK REBOUND TO 100% (HIGH REBOUND)

Assemble both left and right sides.

FRONT & REAR SHOCK OIL #800

**BAG 9**



Step 1

Step 2



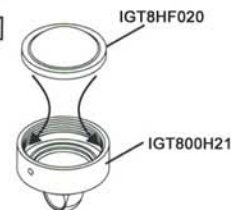
3-5x UP & DOWN

Step 3



Time

Step 4



Step detail



- Leave the filled shock vertically for several minutes with the shock shaft fully extended.
- The remaining air bubbles will release.

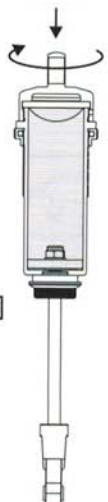
TIGHTENED HALF WAY 50%

TIGHTENED 100%

Step 5

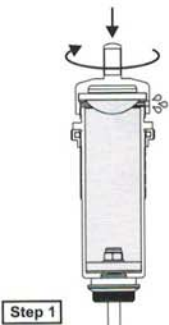


Step 6

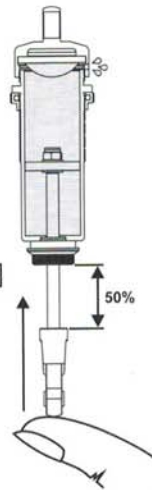


**74 SETTING THE SHOCK REBOUND TO 50% & 0%  
(MEDIUM REBOUND & LOW REBOUND)**

TIGHTENED HALF WAY 50%



Step 2



TIGHTENED 100%

Step 3

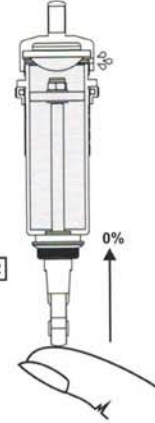


TIGHTENED HALF WAY 50%

Step 1



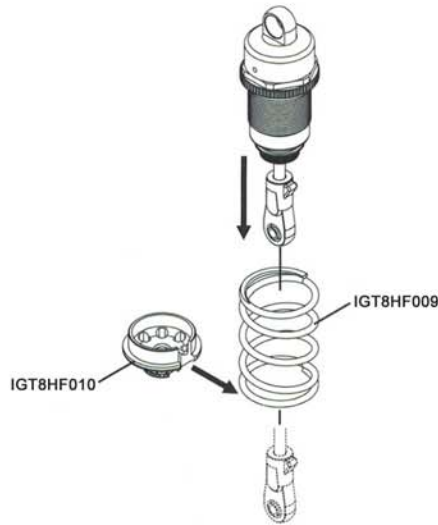
Step 2



Step 3

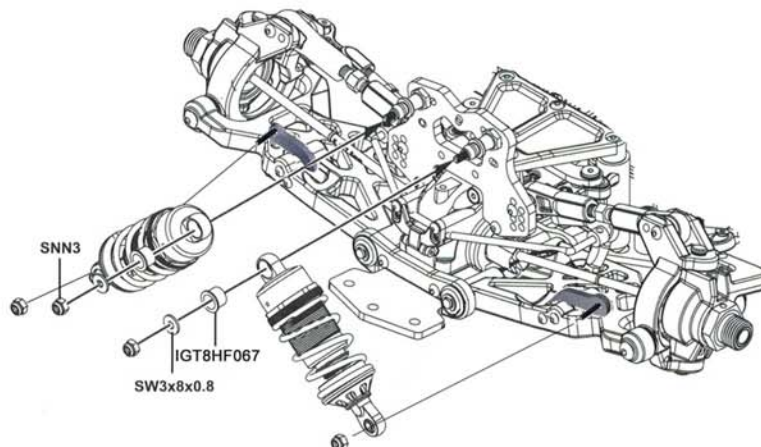
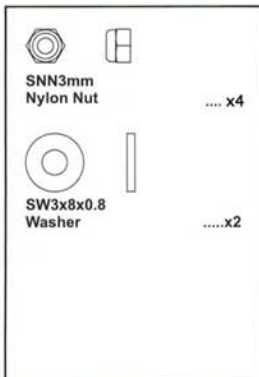


**75 ASSEMBLY OF THE SHOCKS SPRING**

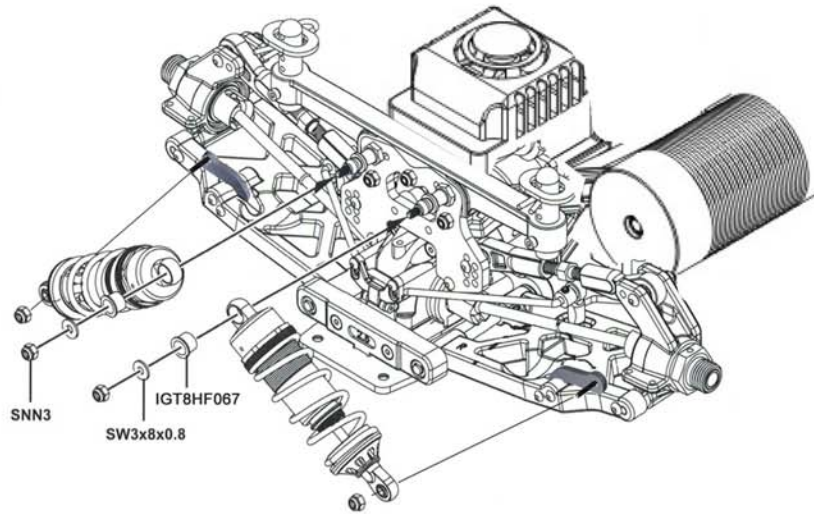


FRONT & REAR  
SHOCK

**76 ASSEMBLY OF THE SHOCKS  
INTO THE SHOCK STAY**



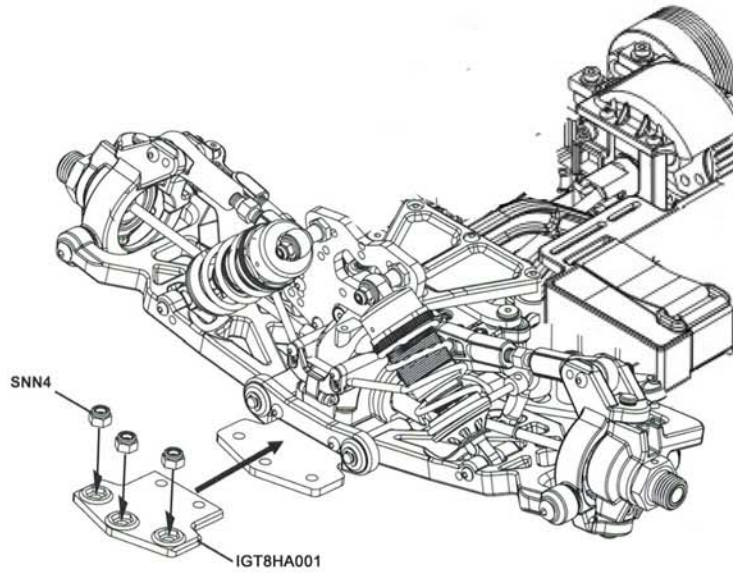
**77 ASSEMBLY OF THE SHOCKS INTO THE SHOCK STAY**



		SNN3mm Nylon Nut	.....x4
		SW3x8x0.8 Washer	.....x2

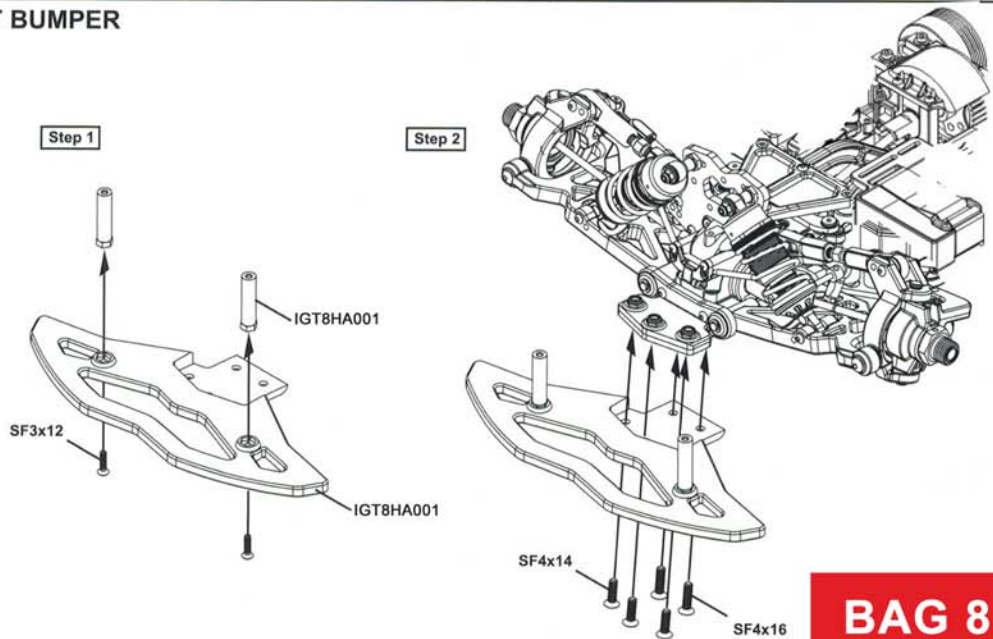
**78 ASSEMBLY OF THE FRONT BUMPER**

**BAG 8**



		SNN4mm Nylon Nut	.....x3
--	--	------------------	---------

**79 ASSEMBLY OF THE FRONT BUMPER**

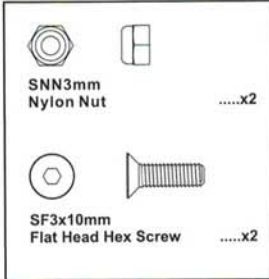
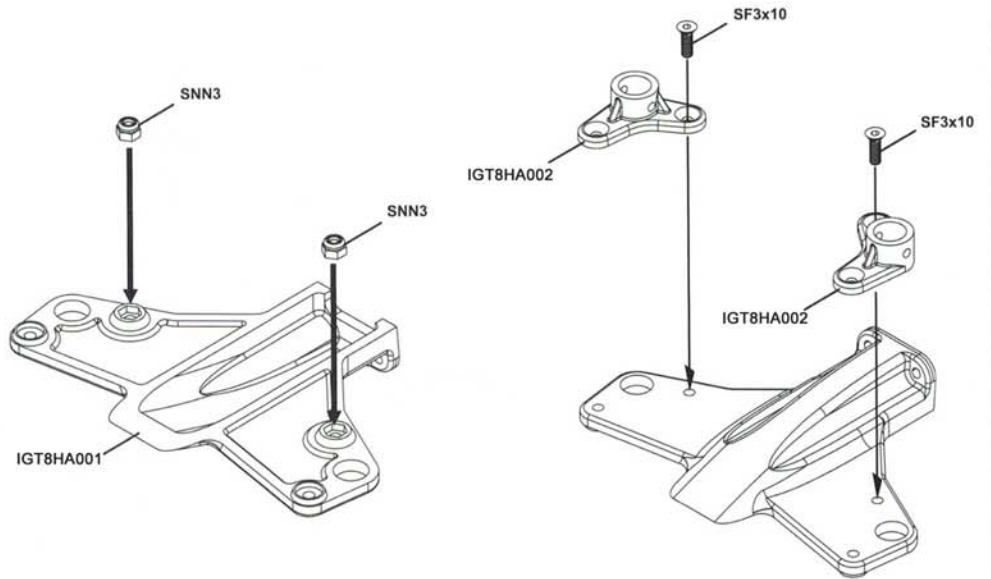


		SF3x12mm Flat Head Hex Screw	.....x2
		SF4x14 Flat Head Hex Screw	.....x3
		SF4x16 Flat Head Hex Screw	.....x2

**BAG 8**

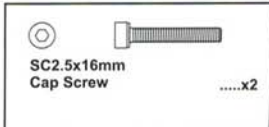
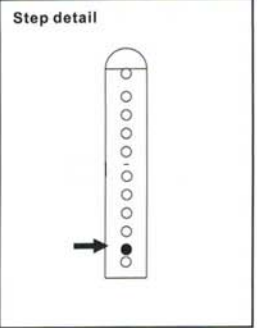
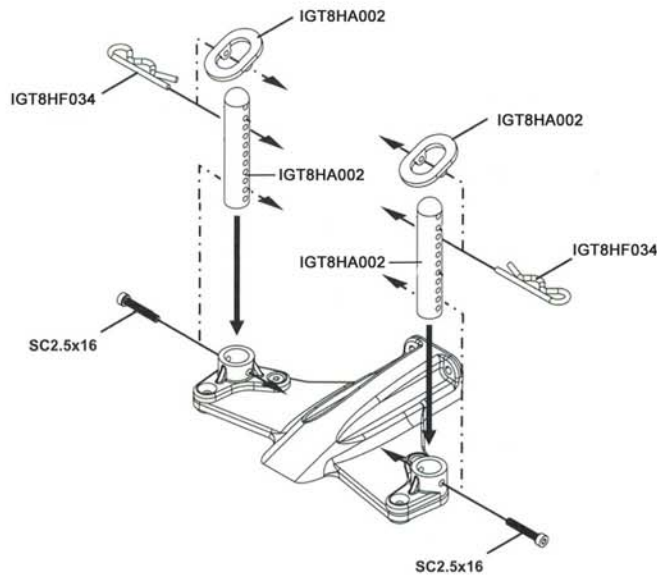
80 ASSEMBLY OF THE FRONT BUMPER

**BAG 8**



81 ASSEMBLY OF THE FRONT BUMPER

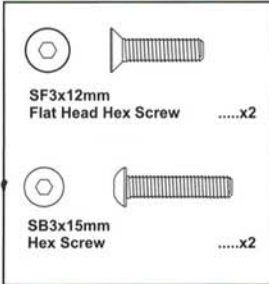
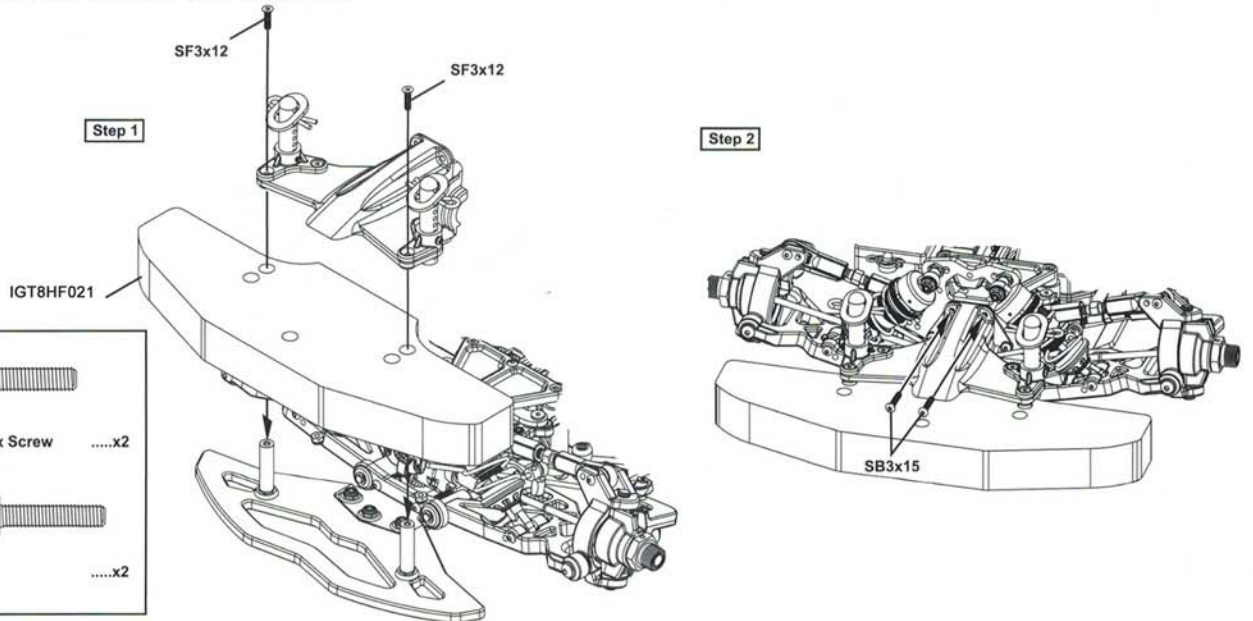
**BAG 8**



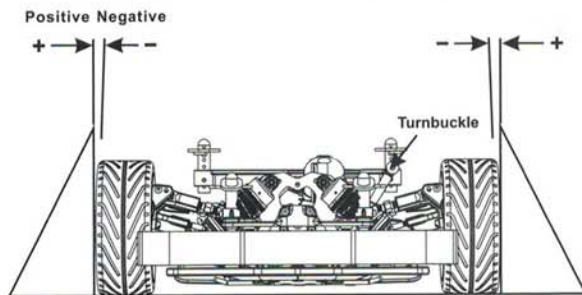
82 ASSEMBLY OF THE FRONT BUMPER

Step 1

Step 2

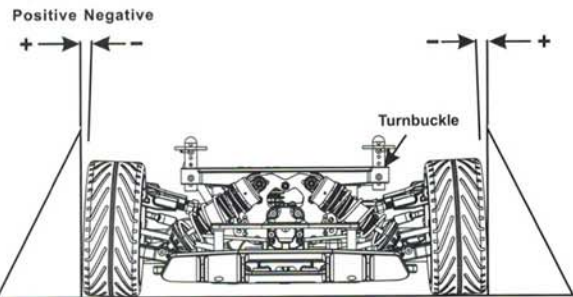


## FRONT CAMBER ANGLE SETTING

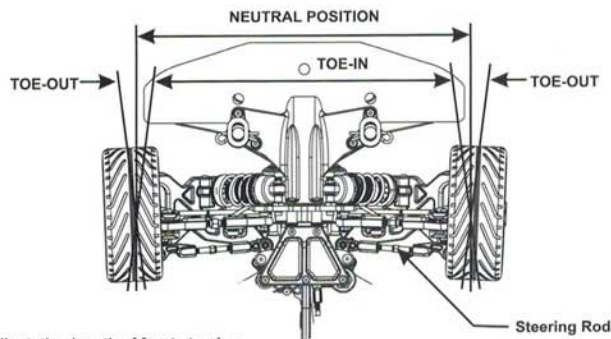


- Place the model car on flat surface. Raise the chassis to its maximum clearance before the wheels leave the ground.
- Adjust the length of the front and rear upper arms so that the wheels are vertical to the ground.
- Adjust the camber angle by turning the turnbuckle rod on the upper arms clockwise or anti-clockwise. (We suggest to use zero degree for the front and 1.5 degree negative for the rear.)

## REAR CAMBER ANGLE SETTING



## FRONT TOE-IN AND TOE-OUT SETTING



- Adjust the length of front steering rod to change the toe angle.
- Making the tie rod longer will make front tires toed in.
- Response will be slower and may over steer.
- Making the tie rod shorter will make front tires toed out.
- Response will be quicker and may under steer.

## REAR WHEELBASE

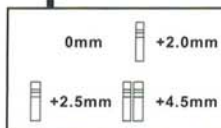
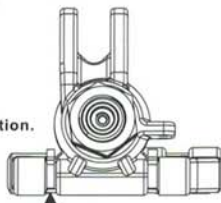
Adjust the wheelbase by using the spacers on either side of the rear wheel hub (at the bottom pin). **IMPORTANT!** Make equal adjustments on both left and right sides of the car.

### Shorter wheelbase

- less spacers in front of the rear wheel hub.
- increases rearward weight transfer during acceleration.
- increases on-power traction.
- quicker off-power steering into corners.
- slight tendency to push on-power at corner exit.
- increases steering response.
- better on tighter, more technical tracks.

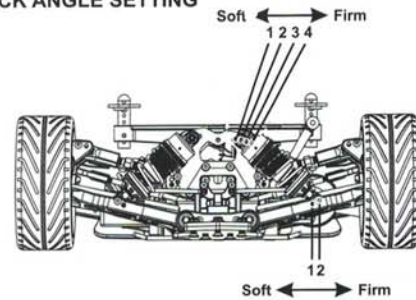
### Longer wheelbase

- more spacers in front of the rear wheel hub.
- decreases off-power steering into sharp corners.
- increases stability.
- slower initial steering reaction (off-power).
- improves on-power steering at corner exit.
- better handling over bumps and ruts.
- better on more open tracks with high-speed corners.



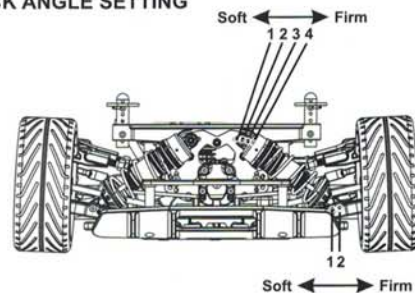
- Different shock positions will result in firmer or softer response of the suspension system.
- Install the shock in an inward angle will cause softer rebound. Softer or firmer suspension system will lead to different steering response.
- Adjust the shock angle positions according to track conditions.

## FRONT SHOCK ANGLE SETTING



Firm front suspension, less steering.  
Soft front suspension, more steering.

## REAR SHOCK ANGLE SETTING



Firm rear suspension, over steering.  
Soft rear suspension, under steering.

